

Super Fast Recovery Rectifier Diode

Reverse Voltage - 600 V

Forward Current - 60 A

FEATURES

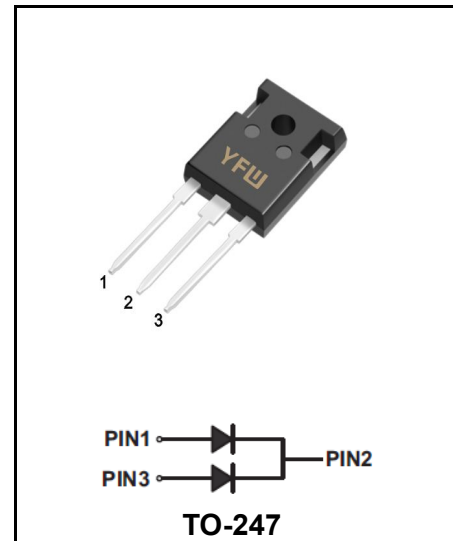
- ◆ Super fast switching for high efficiency.
- ◆ Low reverse leakage.
- ◆ High forward surge current capability.
- ◆ RoHs Product.

APPLICATIONS

◆ Mainly used in switching power supply, PWM pulse width modulator, inverter as a freewheeling and other electronic circuits, high-frequency rectifier diode, diode or damping diode use

Primary Characteristic

I_F	2*30A
V_{RRM}	600V
I_{FSM}	380*2A
V_F	1.85V
T_J Max	125°C



Maximum Ratings (Per Leg) at Ta=25°C unless otherwise specified

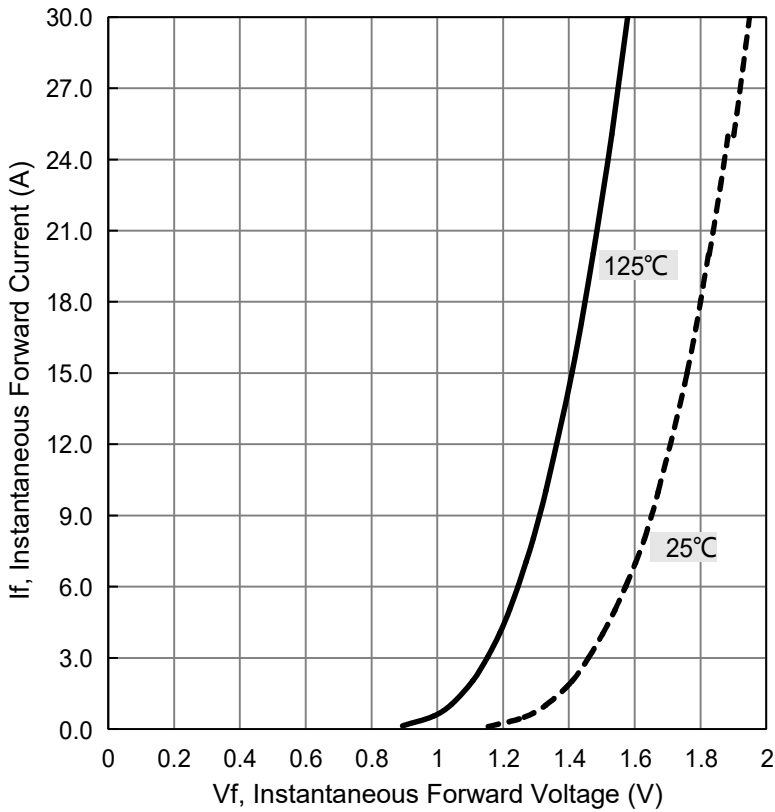
Parameter	Symbols	Value	Units
Maximum Repetitive Peak Reverse Voltage	V_{RRM}	600	V
Maximum RMS voltage	V_{RMS}	420	V
Maximum DC Blocking Voltage	V_{DC}	600	V
Maximum Average Forward Rectified Current	I_F	per device	60
		per diode	30
Peak Forward Surge Current, 8.3ms Single Half Sine-wave	I_{FSM}	380*2	A
Operating Temperature Range	T_J	-40 ~ +125	°C
Storage Temperature Range	T_{STG}	-40 ~ +125	°C
Typical Thermal Resistance (Note2)	R_{θJC}	0.5	°C/W

Electrical Characteristics (Per Leg) unless otherwise specified

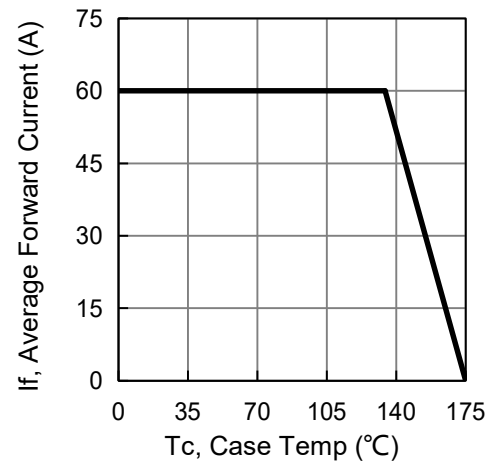
Characteristics	Symbols	Value	Units
Typical Forward Voltage at IF=30A	V_F	1.85	V
Max. DC Reverse Current at Rated DC Blocking Voltage	I_R	T _A =25°C	0.01
		T _A =125°C	0.10
Maximum Reverse Recovery Time at IF=0.5A IR=1.0A IREC=0.25A	T_{RR}	≤50	nS

Ratings and Characteristic Curves

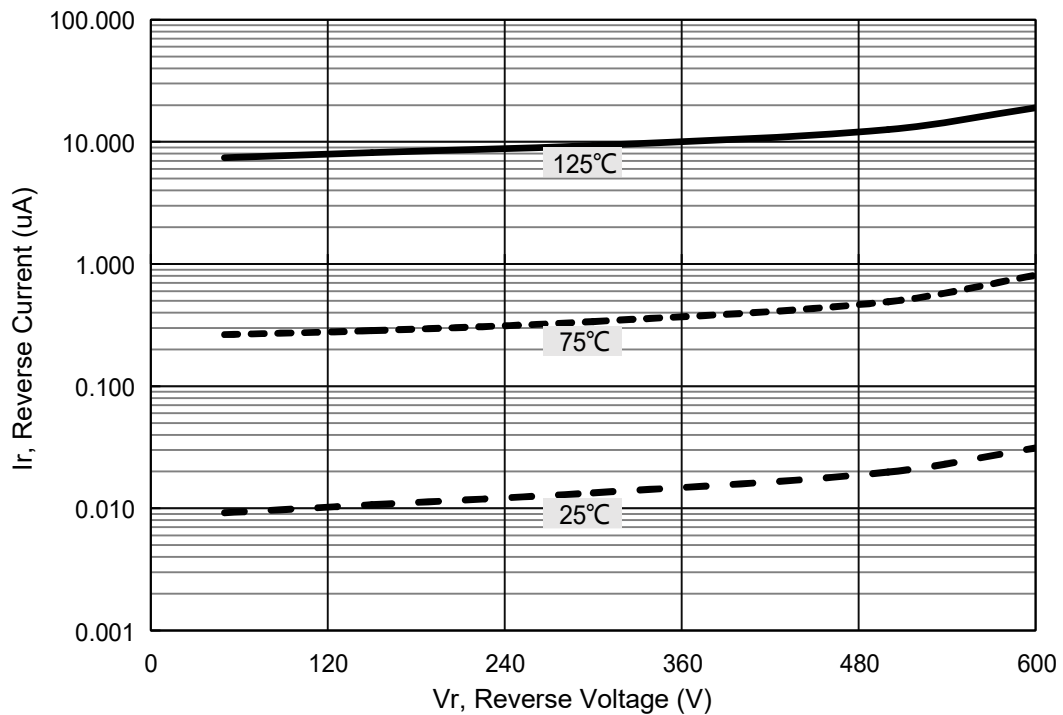
The forward voltage and forward current curve



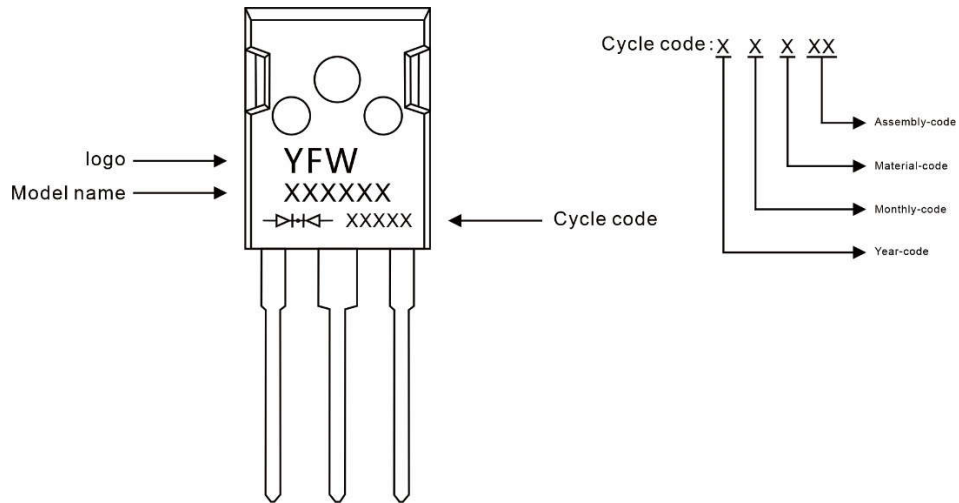
Current derating curve, per element



The reverse leak current and the reverse voltage (single-device) curve.



Marking Diagram



Ordering information

Model name	Package	Unit Weight	Base Quantity	Packing Quantity
MUR6060SPT	TO-247	0.209oz(5.93g)	30pcs/tube	600PCS/Box 2400PCS/Carton

Package Dimensions

TO-247

Symbol	Dimensions in mm		Dimensions in Inch	
	Min.	Max.	Min.	Max.
A	4.90	5.10	0.193	0.201
A1	1.90	2.10	0.075	0.083
A2	2.29	2.54	0.090	0.100
b	1.00	1.40	0.039	0.055
b1	2.00	2.20	0.079	0.087
b2	3.00	3.20	0.118	0.126
c	0.50	0.70	0.020	0.028
D	15.75	16.05	0.620	0.632
E	20.20	20.80	0.795	0.819
e	5.45 (BSC)		0.215 (BSC)	
e1	10.90 (BSC)		0.429 (BSC)	
F	6.05	6.25	0.238	0.246
F1	5.80	6.00	0.228	0.236
L	20.10	20.40	0.791	0.803
L1	4.05	4.35	0.159	0.171
Φ	3.50	3.70	0.138	0.146

Disclaimer

The information presented in this document is for reference only. Guangdong Youfeng Microelectronics Co.,Ltd. reserves the right to make changes without notice for the specification of the products displayed herein to improve reliability, function or design or otherwise. The product listed herein is designed to be used with ordinary electronic equipment or devices, and not designed to be used with equipment or devices which require high level of reliability and the malfunction of which would directly endanger human life (such as medical instruments, transportation equipment, aerospace machinery, nuclear-reactor controllers, fuel controllers and other safety devices), YFW or anyone on its behalf, assumes no responsibility or liability for any damages resulting from such improper use of sale. This publication supersedes & replaces all information previously supplied. For additional information, please visit our website <https://www.yfwdiode.com>, or consult YFW sales office for further assistance.