

Standard Rectifiers

Reverse Voltage - 1600V

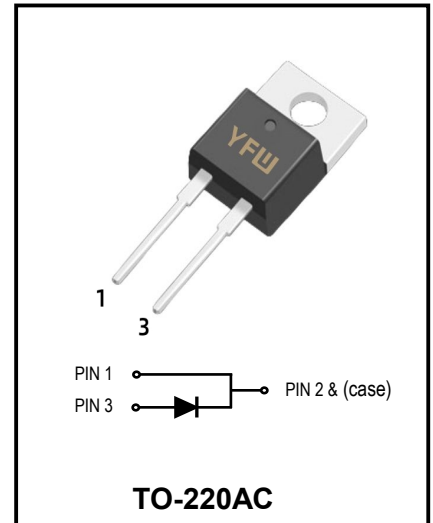
Forward Current - 15A

Features

- ◆ Glass passivated chip junctions
- ◆ Low reverse current operation
- ◆ High Junction Temperature
- ◆ High Forward Surge Capability
- ◆ Lead free in compliance with EU RoHS 2011/65/EU directive

Mechanical Data

- ◆ Circuit figure: Single positive
- ◆ Leads: Solderable per mil-std-202, Method 208
- ◆ Polarity: as marked
- ◆ Mounting torque: 5 in-lbs maximum
- ◆ Terminals: Puretin plated
- ◆ Weight: 1.80 grams



Maximum Ratings & Electrical Characteristics

RATINGS	Symbol	Value	Unit
Maximum Repetitive Reverse Voltage	V_{RRM}	1600	V
Maximum RMS voltage	V_{RMS}	1120	V
Maximum DC blocking voltage	V_{DC}	1600	V
Maximum average forward current	I_{AV}	15	A
Max.Forward Surge Current ,8.3ms single half sine-wave superimposed on rated load	I_{FSM}	200	A
Typical Thermal Resistance	R_{θ-JC}	2.5	°C/W
Operating Junction Temperature Range	T_J	-55 to +150	°C
Storage Temperature Range	T_{STG}	-55 to +150	°C
CHARACTERISTICS			
Maximum forward voltage per leg at 16A	V_F	1.2	V
Maximum average reverse current at rated DC blocking voltage	I_R	5 250	μA
		<small>T_J=25°C</small>	
		<small>T_J=125°C</small>	

Ratings and Characteristic Curves

FIG. 1 - TYPICAL FORWARD CURRENT DERATING CURVE

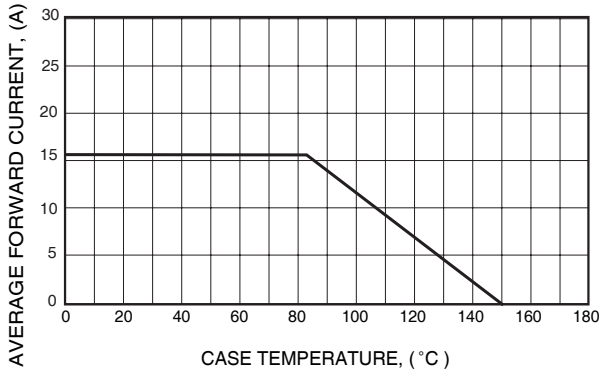


FIG. 3 - MAXIMUM NON-REPETITIVE FORWARD SURGE CURRENT

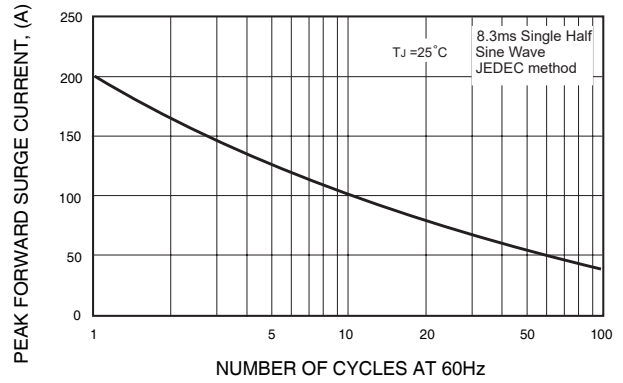


FIG. 4 - TYPICAL REVERSE CHARACTERISTICS

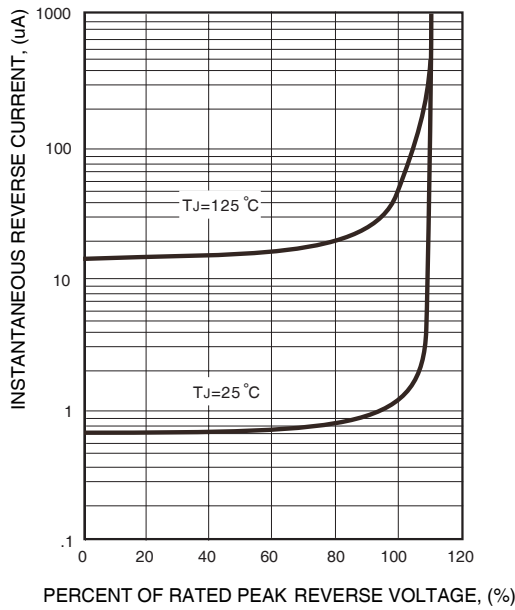
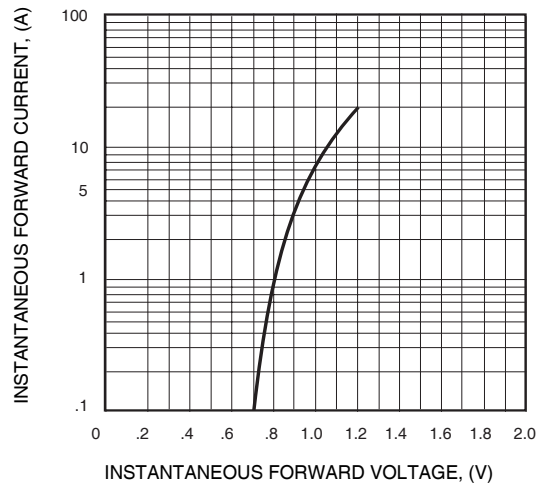
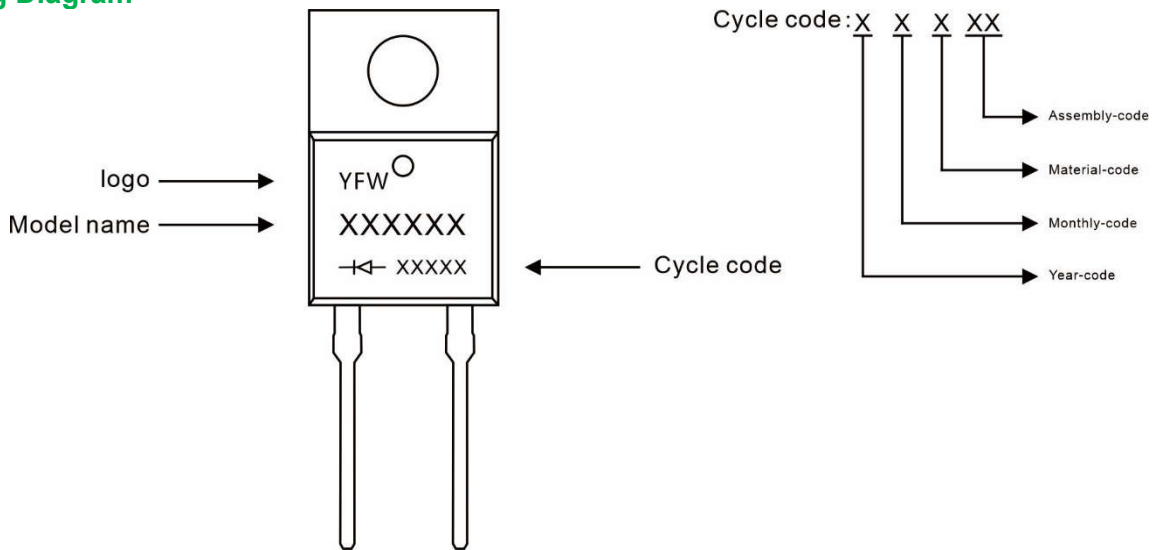


FIG. 2 - TYPICAL INSTANTANEOUS FORWARD CHARACTERISTICS



Marking Diagram



Ordering information

Model name	Package	Unit Weight	Base Quantity	Packing Quantity
G15160DA	TO-220AC	0.067oz(1.9g)	50pcs/tube	1000PCS/Box 5000PCS/Carton

Package Dimensions

TO-220AC

Dim	Millimeter		Inches	
	Min.	Max.	Min.	Max.
A	4.34	4.67	0.171	0.184
A1	2.52	2.82	0.099	0.111
b	0.71	0.91	0.028	0.036
b1	1.17	1.37	0.046	0.054
c	0.30	0.50	0.012	0.020
c1	1.17	1.37	0.046	0.054
D	9.90	10.20	0.390	0.402
E	8.50	8.90	0.335	0.350
E1	12.00	12.50	0.472	0.492
e	2.44	2.64	0.096	0.104
e1	4.88	5.28	0.192	0.208
F	2.60	2.80	0.102	0.110
L	13.20	13.80	0.520	0.543
L1	3.80	4.20	0.150	0.165
Φ	3.60	3.96	0.142	0.156

Disclaimer

The information presented in this document is for reference only. Guangdong Youfeng Microelectronics Co.,Ltd. reserves the right to make changes without notice for the specification of the products displayed herein to improve reliability, function or design or otherwise. The product listed herein is designed to be used with ordinary electronic equipment or devices, and not designed to be used with equipment or devices which require high level of reliability and the malfunction of which would directly endanger human life (such as medical instruments, transportation equipment, aerospace machinery, nuclear-reactor controllers, fuel controllers and other safety devices), YFW or anyone on its behalf, assumes no responsibility or liability for any damages resulting from such improper use of sale. This publication supersedes & replaces all information previously supplied. For additional information, please visit our website <https://www.yfwdiode.com>, or consult YFW sales office for further assistance.