

**6A 4Quadrants TRIACs**

**Product Summary**

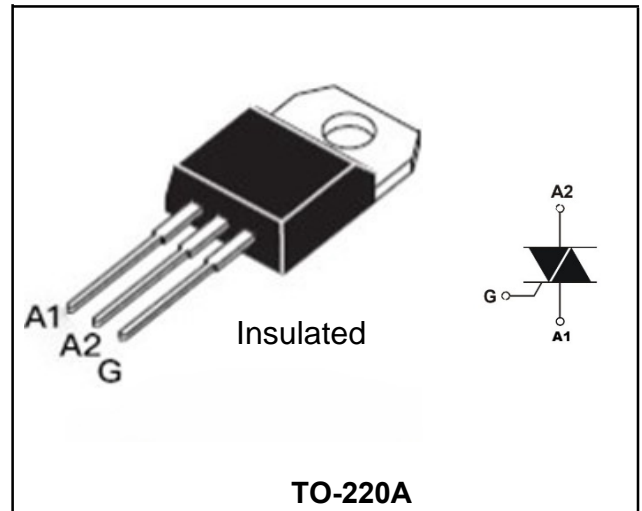
Symbol	Value	Unit
$I_{T(AV)}$	6	A
$V_{DRM} V_{RRM}$	600/800	V
$V_{TM}$	1.55	V

**Features**

With high ability to withstand the shock loading of arge current, Provide high dv/dt rate with strong resistance to electromagnetic interference

**Application**

Power charger, T-tools, massager, solid staterelay, AC Motor speed regulation and so on.



**Absolute maximum ratings (Ta=25°C unless otherwise noted)**

Parameter	Symbol	Value	Unit
Repetitive peak off-state voltage	$V_{DRM}$	600/800	V
Repetitive peak reverse voltage	$V_{RRM}$	600/800	V
RMS on-state current	$I_{T(RMS)}$	6	A
Non repetitive surge peak on-state current (full cycle, F=50Hz)	$I_{TSM}$	60	A
$I^2t$ value for fusing (tp=10ms)	$I^2t$	21	A <sup>2</sup> s
Critical rate of rise of on-state current ( $I_G = 2 \times I_{GT}$ )	$di/dt$	50	A/us
Peak gate current	$I_{GM}$	4	A
Average gate power dissipation	$P_G(AV)$	1	W
Junction Temperature	$T_J$	-40~+125	°C
Storage Temperature	$T_{STG}$	-40 ~+150	°C

**Electrical characteristics (TA=25°C, unless otherwise noted)**

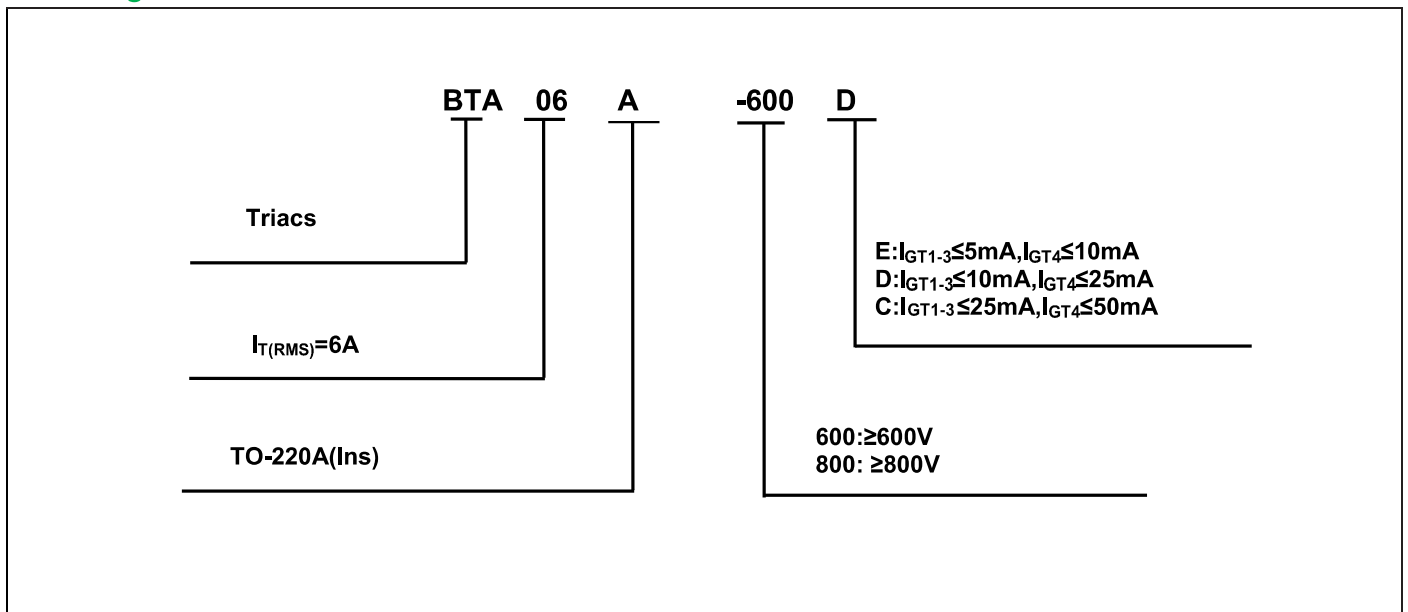
Parameter	Symbol	Test Condition	Value			Unit	
			E	D	C		
Gate trigger current	$I_{GT}$	$V_D=12V, RL=30\Omega, T_j=25^\circ C, Fig.6$	I - II - III	$\leq 5$	$\leq 10$	$\leq 25$	mA
			IV	$\leq 10$	$\leq 25$	$\leq 50$	
Gate trigger voltage	$V_{GT}$	I - II - III - IV	$\leq 1.3$			V	
Gate non-trigger voltage	$V_{GD}$	$V_D=V_{DRM}, T_j=125^\circ C$	$\geq 0.2$			V	
Holding current	$I_H$	$I_T=100mA, Fig. 6$	$\leq 15$	$\leq 15$	$\leq 30$	mA	
latching current	$I_L$	$I_G=1.2I_{GT}, Fig. 6$	I - III - IV	$\leq 10$	$\leq 20$	$\leq 40$	mA
			II	$\leq 20$	$\leq 40$	$\leq 50$	mA
Critical-rate of rise of commutation voltage	$dV_D/dt$	$V_D=2/3V_{DRM}, T_j=125^\circ C$	$\geq 10$	$\geq 20$	$\geq 50$	V/us	

**STATIC CHARACTERISTICS**

Forward "on" voltage	$V_{TM}$	$I_{TM}=8.5A, tp=380us, Fig.4$	$\leq 1.55$			V	
Repetitive Peak Off-State Current	$I_{DRM}$	$V_D=V_{DRM}, V_R=V_{RRM}$	$T_j=25^\circ C$	$\leq 10$	$\leq 10$	$\leq 10$	uA
Repetitive Peak Reverse Current	$I_{RRM}$		$T_j=125^\circ C$	$\leq 1$	$\leq 1$	$\leq 1$	mA

**THERMAL RESISTANCES**

Thermal resistance	$R_{th(j-c)}$	Junction to case	TYP.	2.7	$^\circ C/W$
	$R_{th(j-a)}$	Junction to ambient	TYP.	60	$^\circ C/W$

**Ordering Information**


**Typical Characteristics**

FIG1 Maximum power dissipation versus RMS on-state current

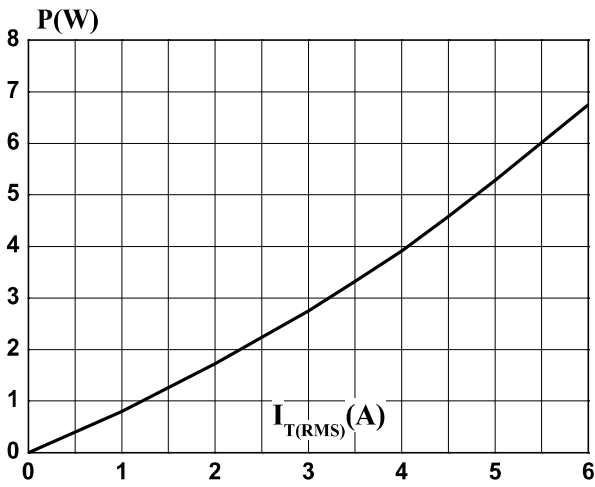


FIG2 RMS on-state current versus case temperature

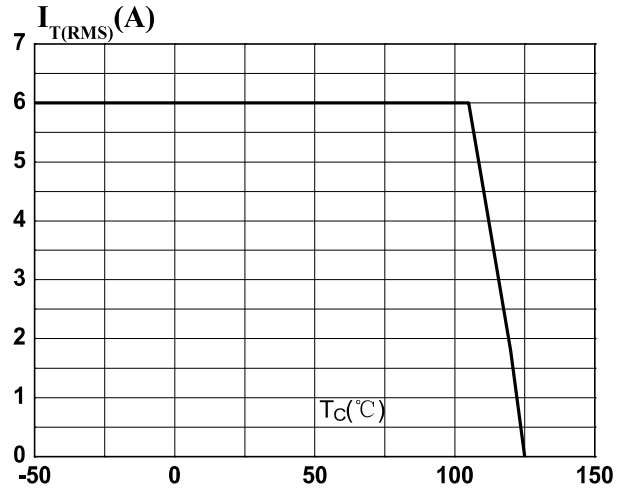


FIG3 Surge peak on-state current versus number of cycles

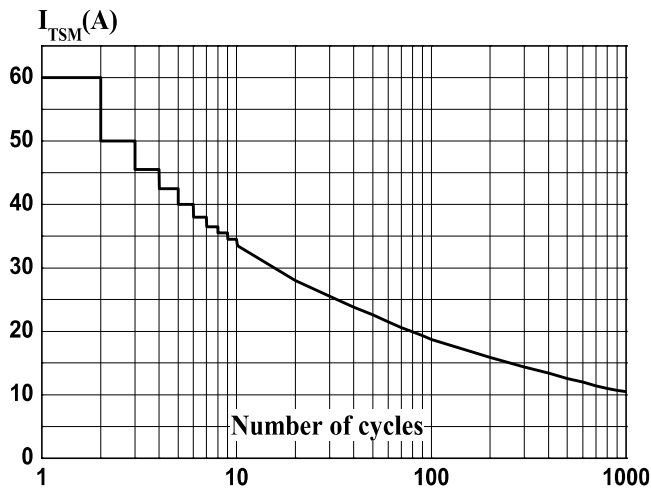


FIG4 On-state characteristics (maximum values)

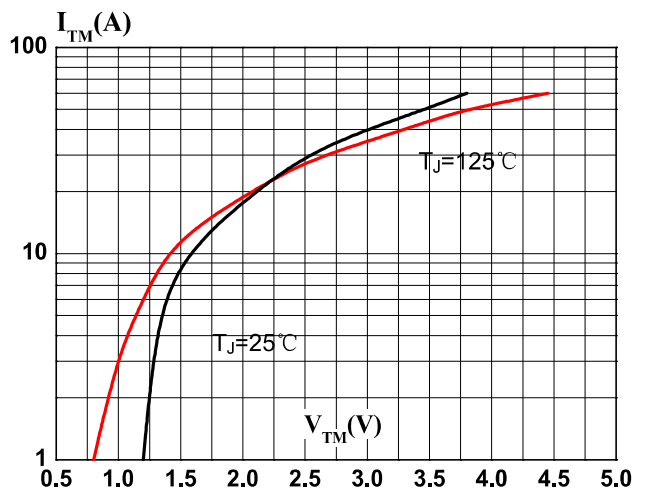


FIG5 Non-repetitive surge peak on-state current for a sinusoidal pulse with width  $t_p < 20\text{ms}$ , and corresponding value of  $I^2t$  ( $dI/dt < 100\text{A}/\mu\text{s}$ )

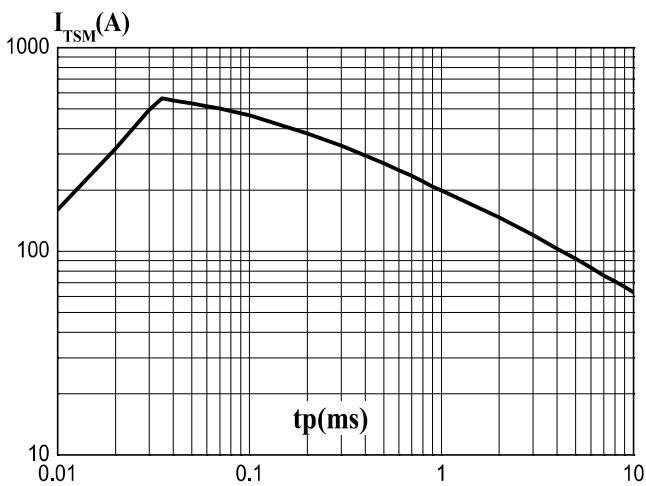
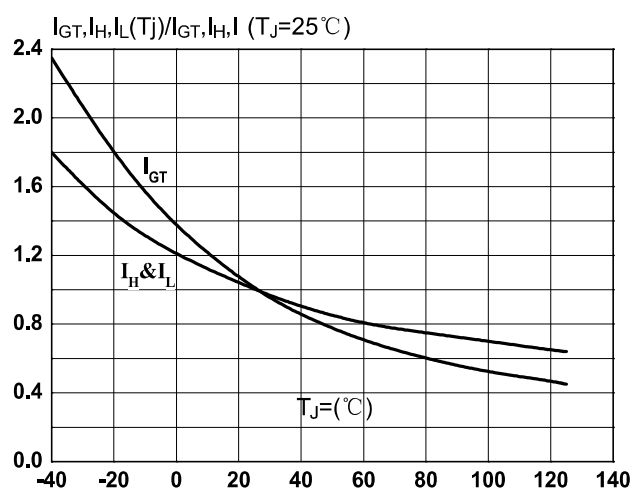
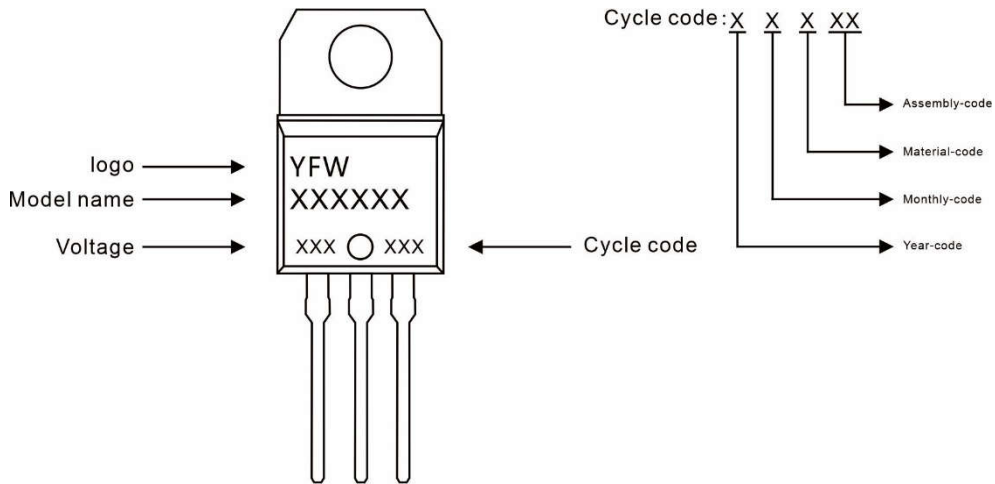


FIG6 Relative variations of gate trigger current, holding current and latching current versus junction temperature



**Marking Diagram**



**Ordering information**

Model name	Package	Unit Weight	Base Quantity	Packing Quantity
BTA06A	TO-220A	0.07oz(1.96g)	50pcs/tube	1000PCS/Box 5000PCS/Carton

**Package Dimensions**

**TO-220A(Insulated)**

Symbol	Millimeter		Inches	
	Min.	Max.	Min.	Max.
A	9.80	10.40	0.386	0.409
B	2.65	3.10	0.104	0.122
C	14.80	16.10	0.583	0.634
D	0.70	0.92	0.028	0.036
D1	1.18	1.42	0.047	0.056
E	2.40	2.70	0.095	0.106
L	2.80	4.20	0.11	0.17
L1	13.05	13.60	0.514	0.535
H	5.85	6.82	0.23	0.27
K	2.35	2.75	0.093	0.108
T	4.38	4.61	0.172	0.181
T1	1.15	1.36	0.045	0.054
T2	0.35	0.65	0.014	0.026
ΦR	3.75	3.95	0.148	0.156

## Disclaimer

The information presented in this document is for reference only. GuangDong Youfeng Microelectronics Co.,Ltd. reserves the right to make changes without notice for the specification of the products displayed herein to improve reliability, function or design or otherwise. The product listed herein is designed to be used with ordinary electronic equipment or devices, and not designed to be used with equipment or devices which require high level of reliability and the malfunction of which would directly endanger human life (such as medical instruments, transportation equipment, aerospace machinery, nuclear-reactor controllers, fuel controllers and other safety devices), YFW or anyone on its behalf, assumes no responsibility or liability for any damages resulting from such improper use of sale. This publication supersedes & replaces all information previously supplied. For additional information, please visit our website <https://www.yfwdiode.com>, or consult YFW sales office for further assistance.