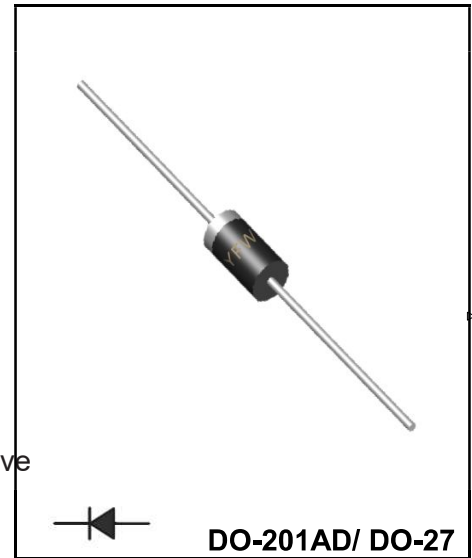


HIGH EFFICIENCY RECTIFIERS
Reverse Voltage - 50V to 1000V
Forward Current - 10 A
FEATURES

- Low cost
- Diffused junction
- Low Leakage
- Low forward voltage drop
- High current capability
- Easily cleaned with Freon. Alcohol. Isopropanol and similar solvents
- The plastic material carries U/L recognition 94V-0


MECHANICAL DATA

- Case: JEDEC DO - 27. molded plastic
- Terminals: Axial leads. Solderable per MIL-STD-202. Method 208
- Polarity: Color band denotes cathode
- Weight: 0.04 ounce. 1.10 grams
- Mounting position: Any

MAXIMUM RATINGS AND ELECTRICAL CHARACTERISTICS

Ratings at 25 °C ambient temperature unless otherwise specified. Single phase. half wave. 60HZ. resistive or inductive load. For capacitive load, derate current by 20%

Parameter	SYMBOL	HER1001	HER1003	HER1004	HER1005	HER1006	HER1007	HER1008	UNITS
Maximum Recurrent Peak Reverse Voltage	VRRM	50	200	300	400	600	800	1000	V
Maximum RMS Voltage	VRMS	35	140	210	280	420	560	700	V
Maximum DC Blocking Voltage	VDC	50	200	300	400	600	800	1000	V
Maximum Average Forward Rectified Current 9.5mm Lead Length. TA = 75 °C	I(AV)	10.0							A
Peak Forward Surge Current 8.3ms Single half-sine-wave superimposed on rated Tj = 125 °C	IFSM	250							A
Maximum Forward Voltage at 10.0A DC	VF	1.0	1.3		1.7			V	
Maximum Reverse Current TA = 25 °C at Rated DC Blocking Voltage TA = 100 °C	IR	5.0							μA
		100.0							
Maximum reverse recovery time (Note 1)	trr	50				75			ns
Typical Junction Capacitance (Note 2)	Cj	30				20			pF
Typical Thermal Resistance (Note 3)	RQJA	20							°C/W
Operating Junction Temperature Range	Tj	65 to 150							°C
Storage Temperature Range	TSTG	65 to 150							°C

- NOTE:**
1. Reverse recovery condition IF=0.5A IR=1.0 Irr=0.25A
 2. Measured at 1.0MHZ and applied reverse voltage of 4.0V DC.
 3. Thermal resistance junction to ambient.

FIG.1 - TYPICAL FORWARD CHARACTERISTIC

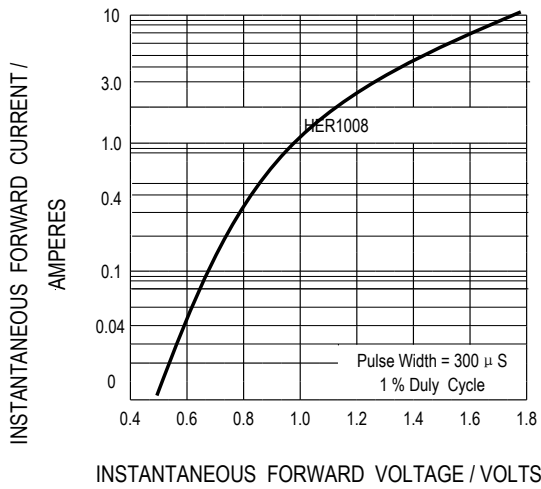


FIG. 2 -- TYPICAL JUNCTION CAPACITANCE

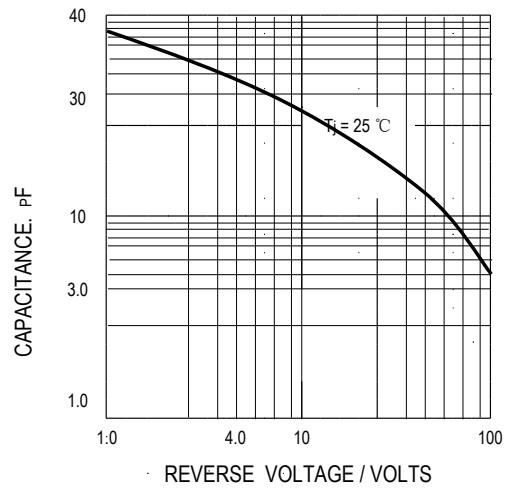


FIG.3 - FORWARD CURRENT DERATING CURVE

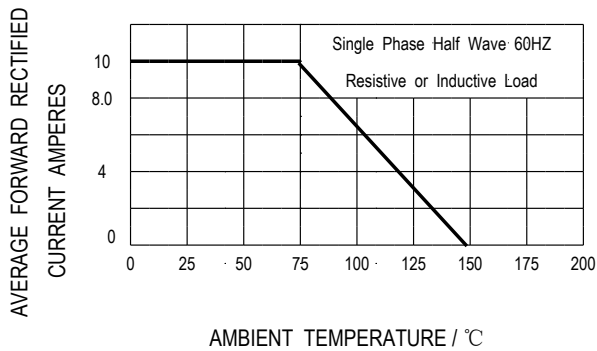


FIG. 4 -- PEAK FORWARD SURGE CURRENT

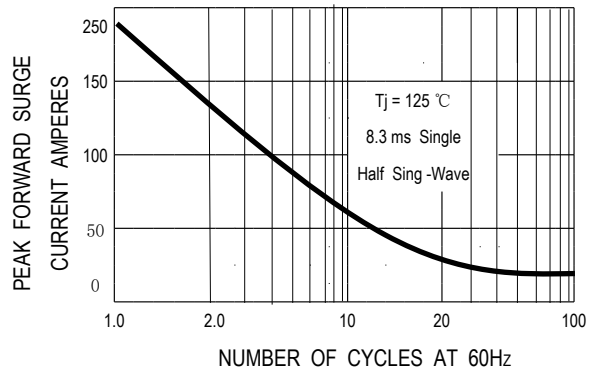
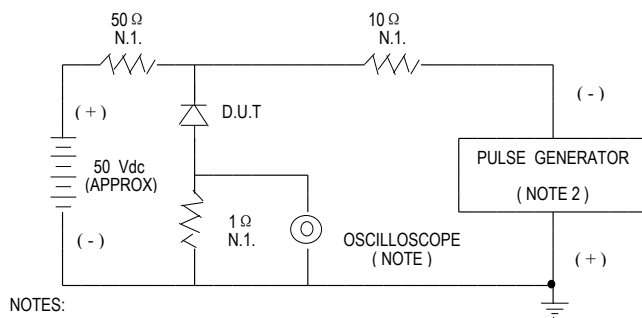
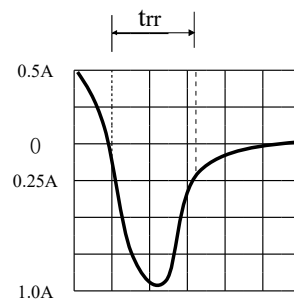


FIG. 5 -- TEST CIRCUIT DIAGRAM AND REVERSE RECOVERY TIME CHARACTERISTIC



- NOTES:
1. RISE TIME = 7n SEC MAX. INPUT IMPEDANCE = 1 MEGOHM. 22PF
 2. RISE TIME = 10n SEC MAX. SOURCE IMPEDANCE = 50 OHM.



SET TIME BASE FOR 15 ns / cm

Ordering information

Package	Packing Description	Packing Quantity
DO-201AD/DO-27	bulk	250PCS/500PCS/Inner Box 12500PCS/Carton
	ammo pack	1000PCS/1250PCS/Inner Box 10000PCS/12500PCS/Carton

Package Dimensions

DO-201AD/DO-27

Dim.	Millimeter(mm)		INCHES	
	Min.	Max.	Min.	Max.
A	-	9.50	-	0.370
B	-	6.40	-	0.250
C	1.20	1.30	0.048	0.052
D	25.4	-	1.00	-

Disclaimer

The information presented in this document is for reference only. Guangdong Youfeng Microelectronics Co.,Ltd. reserves the right to make changes without notice for the specification of the products displayed herein to improve reliability, function or design or otherwise. The product listed herein is designed to be used with ordinary electronic equipment or devices, and not designed to be used with equipment or devices which require high level of reliability and the malfunction of which would directly endanger human life (such as medical instruments, transportation equipment, aerospace machinery, nuclear-reactor controllers, fuel controllers and other safety devices), YFW or anyone on its behalf, assumes no responsibility or liability for any damages resulting from such improper use of sale. This publication supersedes & replaces all information previously supplied. For additional information, please visit our website <https://www.yfwdiode.com>, or consult YFW sales office for further assistance.