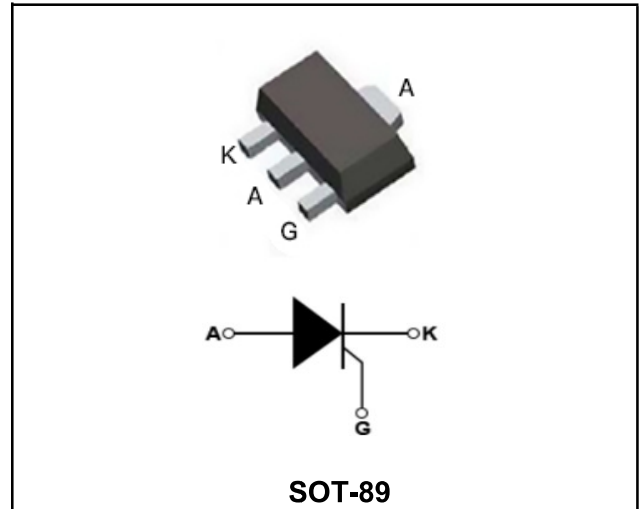


Plastic-Encapsulate Thyristors

Features

- ◆Current- I_{GT} : 200 μ A
 I_{TRMS} : 0.8 A
- ◆ V_{RRM}/V_{DRM} : MCR100-6: 400 V
MCR100-8: 600 V
- ◆Operating and storage junction temperature range
- ◆ T_J, T_{stg} : -55 $^{\circ}$ C to +150 $^{\circ}$ C

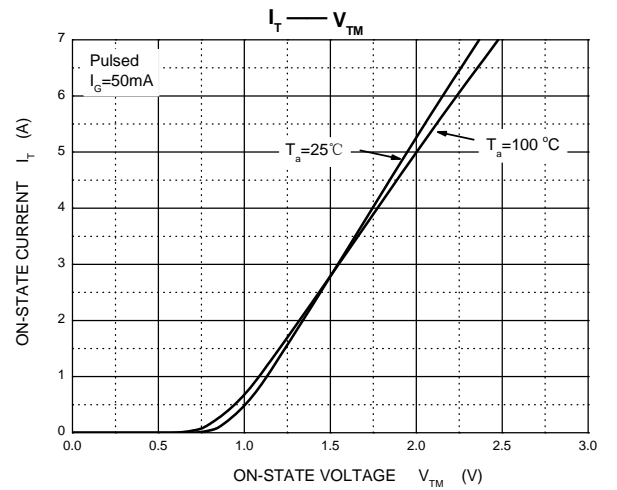
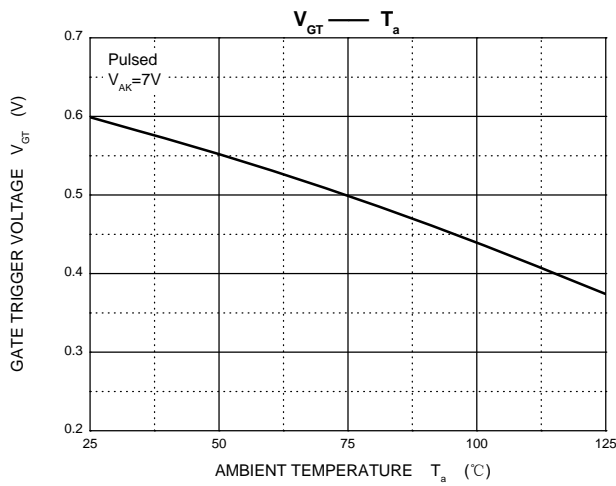
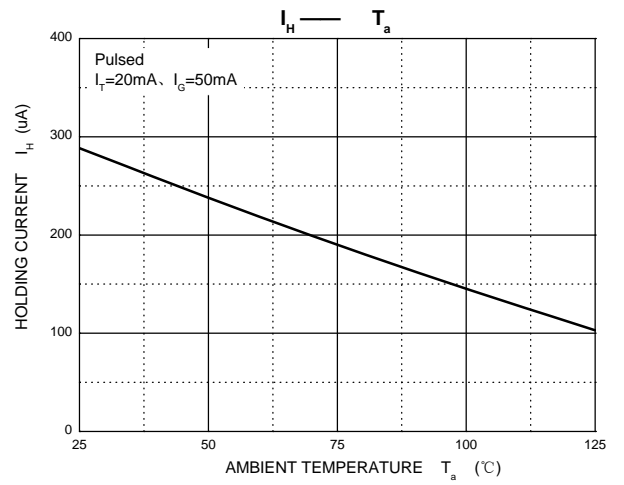
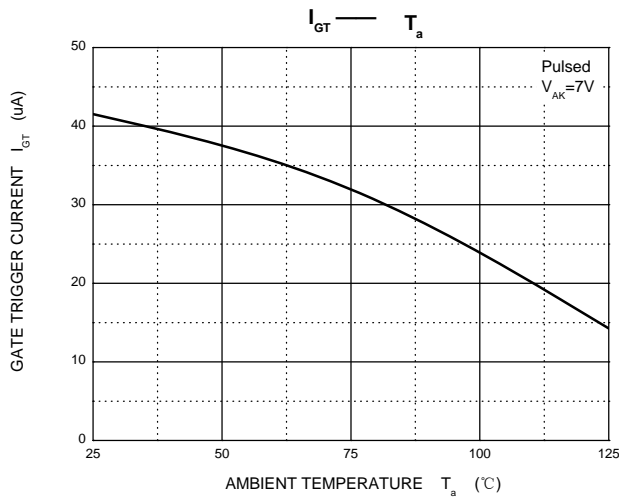


ELECTRICAL CHARACTERISTICS (Ta=25 $^{\circ}$ C unless otherwise specified)

Parameter	Symbol	Test conditions	Min	Max	Unit	
On state voltage	V_{TM}^*	$I_{TM}=1A$		1.7	V	
Gate trigger voltage	V_{GT}	$V_{AK}=7V$		0.8	V	
Peak Repetitive forward and reverse blocking voltage MCR100-6 MCR100-8	V_{DRM} AND V_{RRM}	$I_{DRM}= 10 \mu A$	400 600		V	
Peak forward or reverse blocking Current	I_{DRM} I_{RRM}	$V_{AK}= \text{Rated}$ V_{DRM} OR V_{RRM}		10	μA	
Holding current	I_H	$I_{HL}= 20mA, V_{AK} = 7V$		5	mA	
Gate trigger current	I_{GT}	$V_{AK}=7V$	A2	5	15	μA
			A1	15	30	μA
			A	30	80	μA
			B	80	200	μA

* Forward current applied for 1 ms maximum duration, duty cycle $\leq 1\%$.

Typical Characteristics



Ordering information

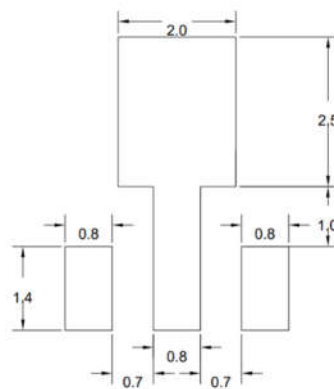
Package	Packing Description	Base Quantity	Packing Quantity
SOT-89	Tape/Reel, 7" reel	1000pcs/Reel	6000PCS/Box 30000PCS/Carton

Package Dimensions

SOT-89

Dim	Millimeter		Inches	
	Min.	Max.	Min.	Max.
A	1.40	1.60	0.055	0.063
b	0.32	0.52	0.013	0.020
b1	0.38	0.58	0.015	0.023
c	0.35	0.45	0.014	0.018
D	4.40	4.60	0.173	0.181
D1	1.45	1.65	0.057	0.065
D2	1.70	1.80	0.067	0.071
E	2.30	2.60	0.091	0.102
E1	3.95	4.25	0.156	0.167
E2	1.80	2.00	0.071	0.079
e	1.40	1.60	0.055	0.063
e1	2.80	3.20	0.110	0.126
L	0.90	1.20	0.035	0.047

The recommended mounting pad size



UNIT:MM

Disclaimer

The information presented in this document is for reference only. GuangDong Youfeng Microelectronics Co.,Ltd. reserves the right to make changes without notice for the specification of the products displayed herein to improve reliability, function or design or otherwise. The product listed herein is designed to be used with ordinary electronic equipment or devices, and not designed to be used with equipment or devices which require high level of reliability and the malfunction of with would directly endanger human life (such as medical instruments, transportation equipment, aerospace machinery, nuclear-reactor controllers, fuel controllers and other safety devices),YFW or anyone on its behalf, assumes no responsibility or liability for any damages resulting from such improper use of sale. This publication supersedes & replaces all information previously supplied. For additional information, please visit our website <https://www.yfwdiode.com>, or consult YFW sales office for further assistance.