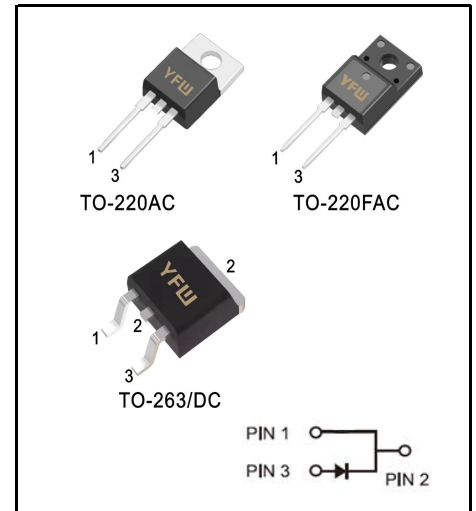


SCHOTTKY BARRIER RECTIFIER
Reverse Voltage - 100 V
Forward Current - 10 A
FEATURES

- ◆Very low forward voltage
- ◆High current capability
- ◆High forward surge capability
- ◆Low power losses, High efficiency
- ◆Guarding for over voltage protection
- ◆Lead free in comply with EU RoHS 2011/65/EU directives

MECHANICAL DATA

- ◆Case: TO-220AB/CT TO-220F/FCT TO-263/DC TO-252/CS
- ◆Solder bath temperature 275°C maximum, 10s per JESD22-106


Primary Characteristic

I_o	10A
V_RRM	100V
I_FSM	340A
V_F	0.63V
T_J Max	150°C

Maximum Ratings (Per Leg) at Ta=25°C unless otherwise specified

Parameter		Symbols	Value	Units
Maximum Repetitive Peak Reverse Voltage		V_RRM	100	V
Maximum RMS voltage		V_RMS	70	V
Maximum DC Blocking Voltage		V_DC	100	V
Maximum Average Forward Rectified Current	Total	I_o	10	A
Peak Forward Surge Current, 8.3ms Single Half Sine-wave		I_FSM	340	A
Operating Temperature Range		T_J	-40 ~ +150	°C
Storage Temperature Range		T_{STG}	-40 ~ +150	°C
Typical Thermal Resistance ^(Note1) TO-220AC, TO-263 TO-220FAC		R_{θJA}/ R_{θJC}	2/4	°C/W

Note1: Thermal resistance from Junction to case per leg mounted on heatsink.
Electrical Characteristics (Per Leg) unless otherwise specified

Characteristics		Symbols	Value		Units
Forward Voltage Drop(Note2)		V_F	Typ	Max	V
at I _F =3A	TA=25°C		0.63	-	
	TA=125°C		0.51	-	
at I _F =5A	TA=25°C		0.69	-	
	TA=125°C		0.56	-	
at I _F =10A	TA=25°C		0.76	0.82	
	TA=125°C		0.63	-	
Maximum Reverse Current at V _R =100V	TA=25°C	I_R	3	10	uA
	TA=125°C		2	-	mA

Note2: Pulse test: 300 μs pulse width, 1 % duty cycle

RATINGS AND CHARACTERISTIC CURVES

FIG.1 MAXIMUM FORWARD CURRENT DERATING CURVE

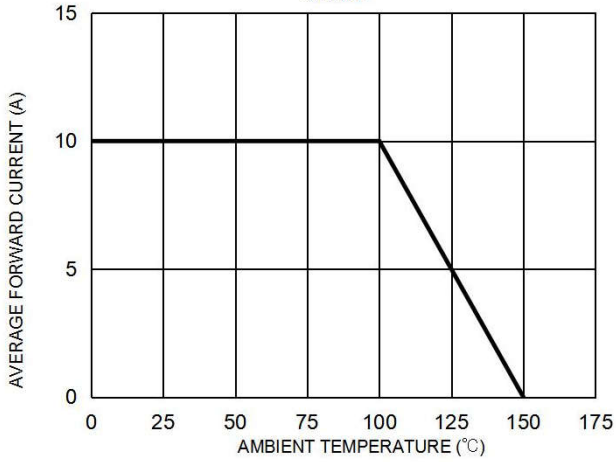


FIG. 2 MAXIMUM NON-REPETITIVE FORWARD SURGE CURRENT PER LEG

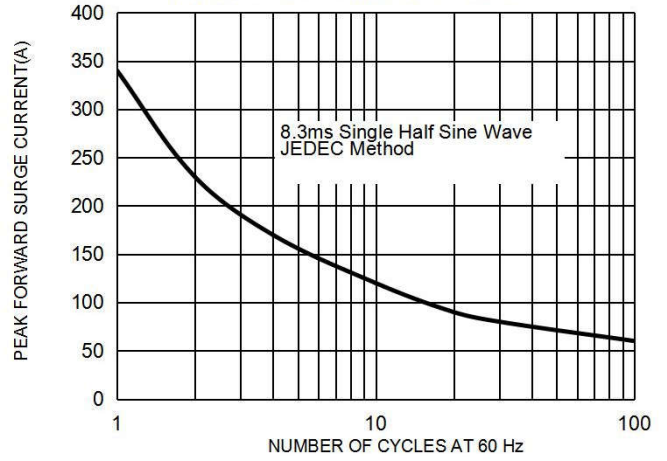


FIG. 3 TYPICAL FORWARD CHARACTERISTICS PER LEG

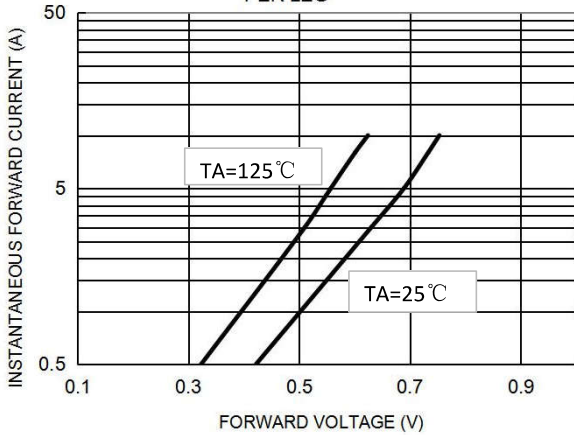
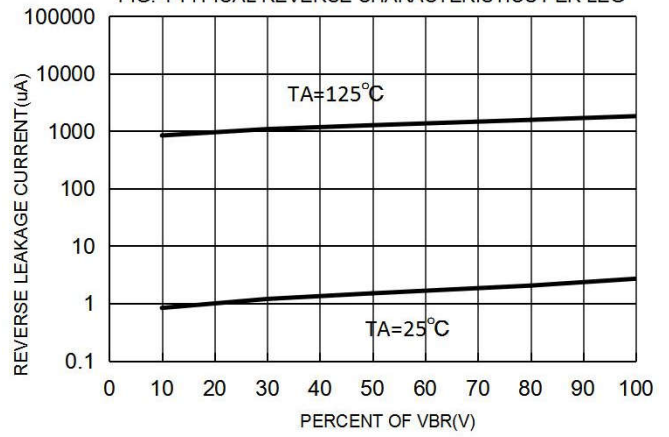
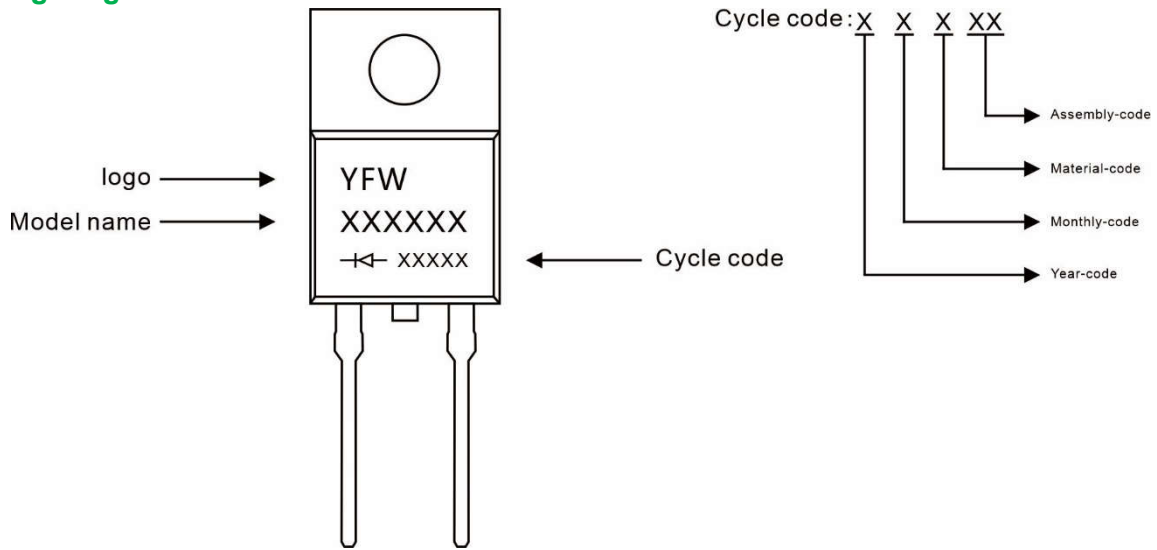


FIG. 4 TYPICAL REVERSE CHARACTERISTICS PER LEG



Marking Diagram



Ordering information

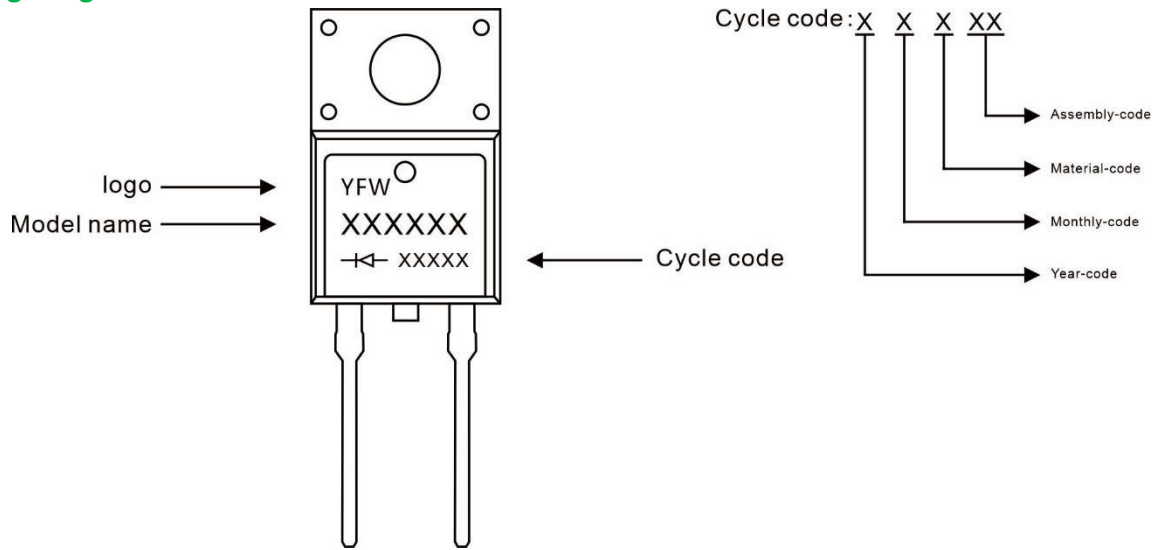
Model name	Package	Unit Weight	Base Quantity	Packing Quantity
MBR10100AC	TO-220AC	0.067oz(1.9g)	50pcs/tube	1000PCS/Box 5000PCS/Carton

Package Dimensions

TO-220AC

Symbol	Millimeter		Inches	
	Min.	Max.	Min.	Max.
A	10.15	10.35	0.400	0.407
B	2.65	2.95	0.104	0.116
C	3.70	3.90	0.146	0.154
D	28.5	29.5	1.12	1.16
E	1.3	1.45	0.051	0.057
F	0.8	1.1	0.031	0.043
G	2.9	3.3	0.114	0.130
H	15.0	16.0	0.591	0.630
I	0.38	0.42	0.015	0.017
J	4.45	4.55	0.175	0.179
K	1.25	1.35	0.049	0.053
L	6.35	6.55	0.250	0.258
M	Typ5.08		Typ0.2	
N	Typ2.54		Typ0.1	
O	0.76	0.84	0.030	0.033
P	3.1	3.3	0.122	0.130

Marking Diagram



Ordering information

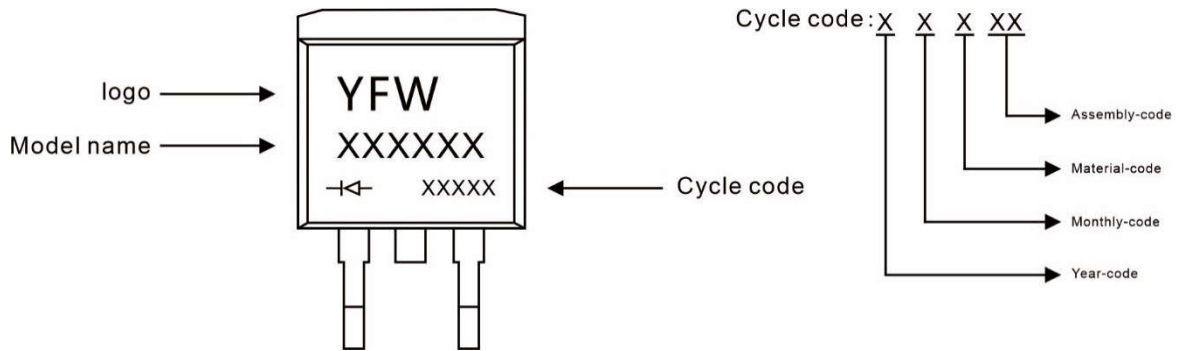
Model name	Package	Unit Weight	Base Quantity	Packing Quantity
MBR10100FAC	TO-220FAC	0.06oz(1.7g)	50pcs/tube	1000PCS/Box 5000PCS/Carton

Package Dimensions

TO-220FAC

Symbol	Millimeter		Inches	
	Min.	Max.	Min.	Max.
A	9.95	10.25	0.392	0.404
B	2.95	3.25	0.116	0.128
C	1.25	1.45	0.049	0.057
E	12.95	13.25	0.51	0.52
F	0.40	0.60	0.016	0.024
G	1.30	1.45	0.051	0.057
H	TYP2.54		TYP 0.1	
I	TYP5.08		TYP 0.2	
J	4.60	4.75	0.181	0.187
K	2.45	2.65	0.097	0.104
L	6.5	6.8	0.256	0.268
M	15.4	16.0	0.606	0.630
N	2.75	3.05	0.108	0.120
O	0.45	0.55	0.018	0.022
P	0.6	0.8	0.024	0.032
Q	0.76	0.84	0.030	0.033

Marking Diagram



Ordering information

Model name	Package	Unit Weight	Base Quantity	Packing Quantity
MBR10100DC	TO-263	0.04oz(1.16g)	800pcs/reel	1600pcs/box 8000pcs/Carton

Package Dimensions

TO-263

Dim	Millimeter		Inches	
	Min.	Max.	Min.	Max.
A	4.30	4.70	0.169	0.185
A1	0.00	0.15	0.000	0.006
A2	4.30	4.55	0.169	0.179
B	1.10	1.50	0.043	0.059
b	0.70	0.90	0.028	0.035
b1	1.20	1.50	0.047	0.059
c	0.30	0.60	0.012	0.024
c1	1.17	1.37	0.046	0.054
D	9.90	10.20	0.390	0.402
E	8.50	8.90	0.335	0.350
e	2.44	2.64	0.096	0.104
e1	4.88	5.28	0.192	0.208
L	15.00	15.30	0.591	0.602
L1	5.20	5.40	0.205	0.213
L2	2.40	2.60	0.094	0.102
L3	1.60	1.80	0.063	0.071

Disclaimer

The information presented in this document is for reference only. Guangdong Youfeng Microelectronics Co.,Ltd. reserves the right to make changes without notice for the specification of the products displayed herein to improve reliability, function or design or otherwise. The product listed herein is designed to be used with ordinary electronic equipment or devices, and not designed to be used with equipment or devices which require high level of reliability and the malfunction of which would directly endanger human life (such as medical instruments, transportation equipment, aerospace machinery, nuclear-reactor controllers, fuel controllers and other safety devices), YFW or anyone on its behalf, assumes no responsibility or liability for any damages resulting from such improper use of sale. This publication supersedes & replaces all information previously supplied. For additional information, please visit our website <https://www.yfwdiode.com>, or consult YFW sales office for further assistance.