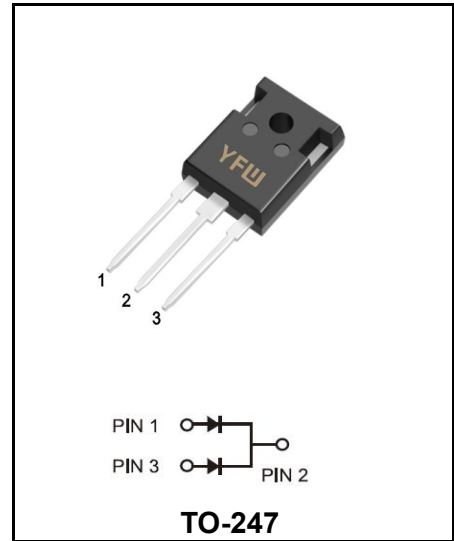


Fast Recovery Epi Diodes
Reverse Voltage -200 V
Forward Current - 60 A
FEATURES

- ◆High frequency operation
- ◆High surge forward current capability
- ◆High purity, high temperature epoxy encapsulation for enhanced mechanical strength and moisture resistance
- ◆Guard ring for enhanced ruggedness and long term reliability
- ◆Solder dip 275 °C max. 7s, per JESD 22-B106

MECHANICAL DATA

- ◆Case: TO-247
- ◆Case Material: “Green” molding compound, UL flammability classification 94V-0, “Halogen-free”.


Primary Characteristic

I_o	2*30A
V_{RRM}	200V
I_{FSM}	300A
V_F	1.3V
T_J Max	150°C

Maximum Ratings (Per Leg) at Ta=25°C unless otherwise specified

Parameter	Symbols	Value	Units
Maximum Repetitive Peak Reverse Voltage	V_{RRM}	200	V
Maximum RMS voltage	V_{RMS}	140	V
Maximum DC Blocking Voltage	V_{DC}	200	V
Average Forward Current	I_F	per device 60	A
		per diode 30	
Peak Forward Surge Current, 8.3ms Single Half Sine-wave	I_{FSM}	500	A
Operating Temperature Range	T_J	-55 to +150	°C
Storage Temperature Range	T_{STG}	-55 to +150	°C
Typical Thermal Resistance(Note 2)	R_{θJC}	4	°C/W

Note: 1. Reverse Recovery Test Conditions: IF=0.5A, IR=1A, Irr=0.25A.
Electrical Characteristics (Per Leg) unless otherwise specified

Characteristics	Symbols	Value	Units
Typical Forward Voltage at If=30A	V_F	1.3	V
Max. DC Reverse Current at Rated DC Blocking Voltage	I_R	T _A =25°C	10
		T _A =125°C	500
Typical Reverse Recovery Time (Note 1)	T_{RR}	35	nS

Note: 2. Thermal resistance from junction to case.

RATINGS AND CHARACTERISTIC CURVES

Fig.1 Forward Current Derating Curve

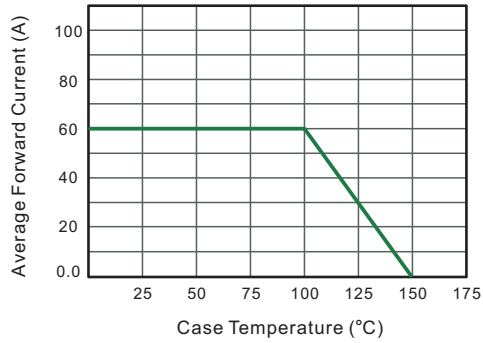


Fig.2 Typical Instantaneous Reverse Characteristics

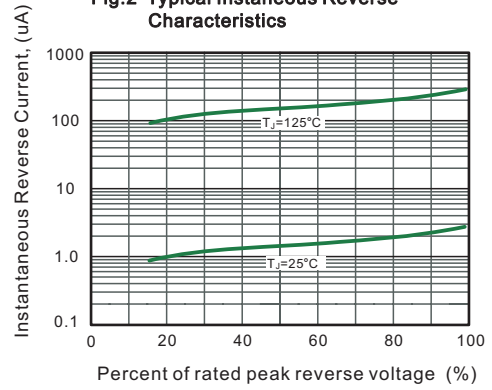


Fig.3 Typical Forward Characteristic

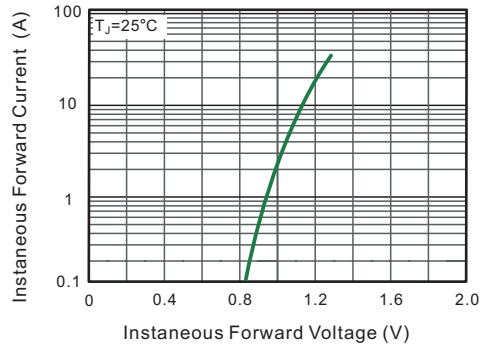
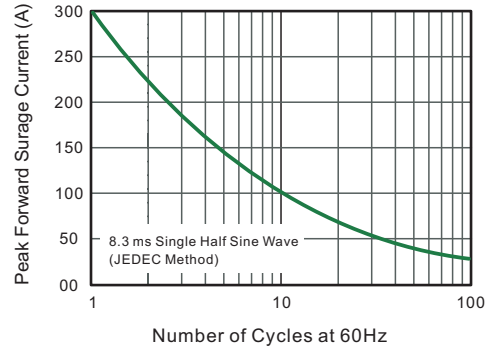
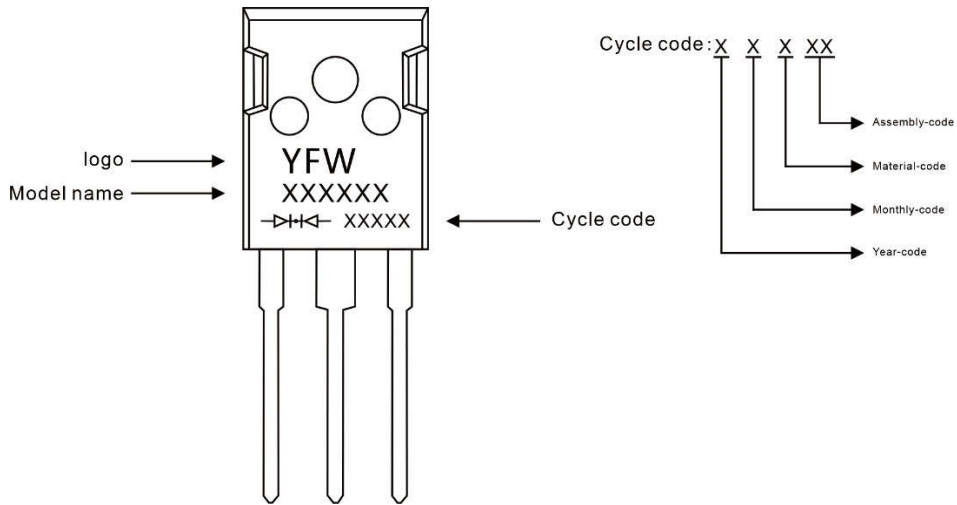


Fig.4 Maximum Non-Repetitive Peak Forward Surge Current



Marking Diagram



Ordering information

Model name	Package	Unit Weight	Base Quantity	Packing Quantity
MUR6020PT	TO-247	0.209oz(5.93g)	30pcs/tube	600PCS/Box 2400PCS/Carton

Package Dimensions

TO-247

Symbol	Dimensions in mm		Dimensions in Inch	
	Min.	Max.	Min.	Max.
A	4.90	5.10	0.193	0.201
A1	1.90	2.10	0.075	0.083
A2	2.29	2.54	0.090	0.100
b	1.00	1.40	0.039	0.055
b1	2.00	2.20	0.079	0.087
b2	3.00	3.20	0.118	0.126
c	0.50	0.70	0.020	0.028
D	15.75	16.05	0.620	0.632
E	20.20	20.80	0.795	0.819
e	5.45 (BSC)		0.215 (BSC)	
e1	10.90 (BSC)		0.429 (BSC)	
F	6.05	6.25	0.238	0.246
F1	5.80	6.00	0.228	0.236
L	20.10	20.40	0.791	0.803
L1	4.05	4.35	0.159	0.171
Φ	3.50	3.70	0.138	0.146

Disclaimer

The information presented in this document is for reference only. Guangdong Youfeng Microelectronics Co.,Ltd. reserves the right to make changes without notice for the specification of the products displayed herein to improve reliability, function or design or otherwise. The product listed herein is designed to be used with ordinary electronic equipment or devices, and not designed to be used with equipment or devices which require high level of reliability and the malfunction of which would directly endanger human life (such as medical instruments, transportation equipment, aerospace machinery, nuclear-reactor controllers, fuel controllers and other safety devices), YFW or anyone on its behalf, assumes no responsibility or liability for any damages resulting from such improper use of sale. This publication supersedes & replaces all information previously supplied. For additional information, please visit our website <https://www.yfwdiode.com>, or consult YFW sales office for further assistance.