

3-Terminal 0.1A Positive Adjustable Regulator

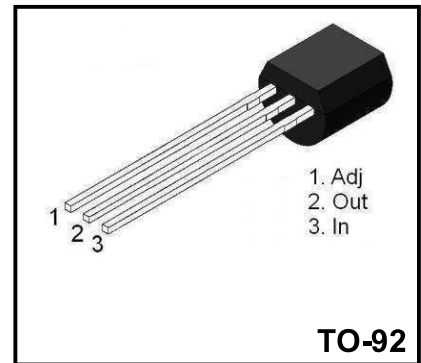
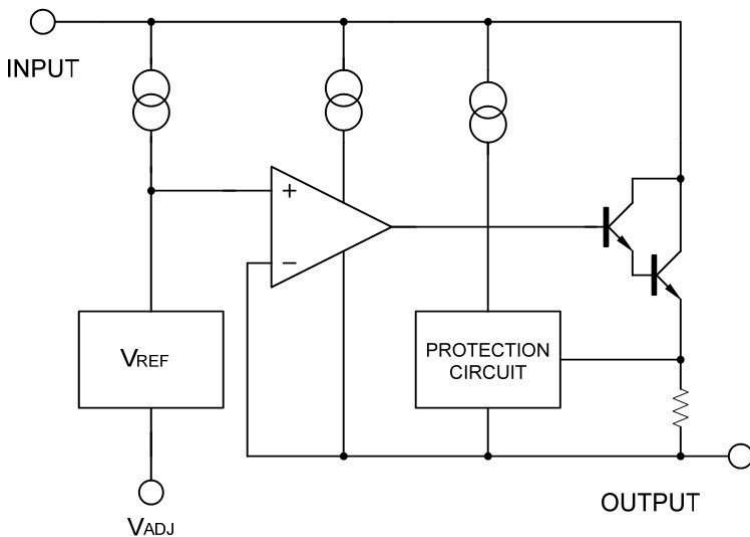
Description

◆The LM317L is a monolithic integrated circuit, designed to supply 100mA of output current with voltage adjustable from 1.25V to 37V.

Features

- ◆Output Voltage adjustable from 1.25 to 37V
- ◆Output current in excess of 100mA
- ◆Internal thermal overload protection
- ◆Internal short circuit current limiting
- ◆Output transistor safe area compensation

Block Diagram



Marking Code	
LM317L	YFW LM317L

Absolute Maximum Ratings

Symbol	Parameter	Value	Unit
V_{i-o}	Input-output Differential Voltage	40	V
I_o	Output Current	Intenrally Limited	
V_o	Out put Voltage	5	V
T_{OP}	Operating Junction Temperature	0~+125	°C
T_{STG}	Storage Temperature	-60~+150	°C

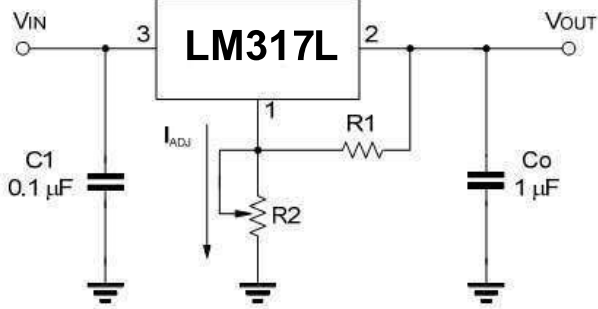
Electrical Characteristics

 (V_I - V_O = 5 V, I_O = 500 mA, I_{MAX} = 1.5A and P_{MAX} = 20W, unless otherwise specified)

Parameter	Symbol	Conditions		Value			Unit
				Min	Typ	Max	
Line Regulation	ΔV_O	V _I -V _O = 3 to 40V, I _{LOAD} ≤ 20mA				0.04	%V
Load Regulation	ΔV_O	I _O = 5mA~100mA	V _{OUT} ≤ 5V			25	mV
			V _{OUT} ≥ 5V			0.5	%
Adjustment Pin Current	I _{ADJ}	T _J = 25°C				100	μA
Adjustment Pin Current	ΔI_{ADJ}	V _I -V _O = 3 to 40V, I _O = 5mA~100mA				5	μA
Reference Voltage (between pin3 and pin1)	V _{REF}	V _I -V _O = 3 to 40V I _O = 5mA~100mA, P _D ≤ 625mW		1.20	1.25	1.30	V
Minimum Load Current	I _{L(min)}	V _I -V _O = 40V				10	mA
Maximum Output Current	I _{O(max)}	V _I -V _O = 40V, P _D ≤ 625mW				100	mA
RMS Noise vs. %of V _{OUT}	eN	f = 10 to 10KHz				0.01	%V
Ripple Rejection	RR	V _{OUT} = 10V, f = 120Hz	C _{ADJ} = 0		65		dB
			C _{ADJ} = 10μF	60			dB

 Note: C_{ADJ} is connected between Adjust pin and Ground.

Application Circuits



$$V_{out} = 1.25 \cdot (1 + R2/R1) + I_{ADJ} \cdot R$$

C1 is required when regulator is located an appreciated distance from power supply. Co is needed to improve transient response.

Fig.1 Prgramable Voltage Regulator

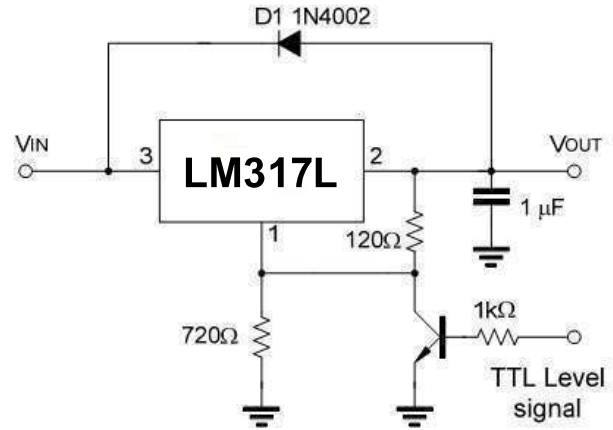


Fig.2 Regulator with ON-off control

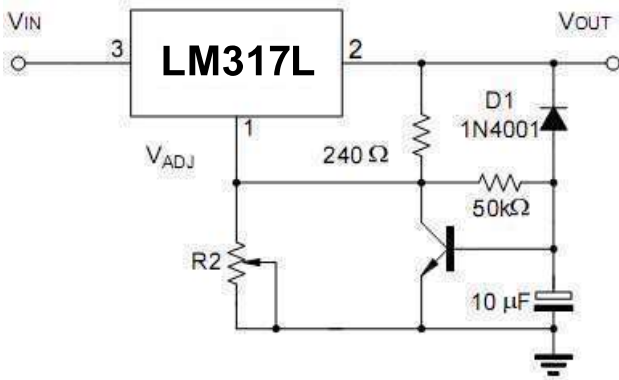
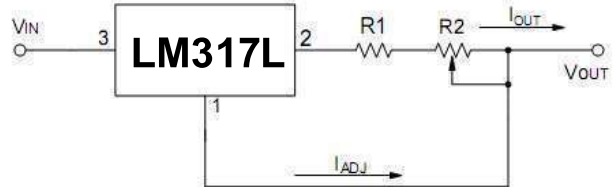


Fig.3 Soft Start Application



$$I_{O(MAX)} = \left(\frac{V_{REF}}{R1} \right) + I_{ADJ} = \frac{1.25V}{R1}$$

$$I_{O(MIN)} = \left(\frac{V_{REF}}{R1+R2} \right) + I_{ADJ} = \frac{1.25V}{R1+R2}$$

$$5mA < I_{OUT} < 100mA$$

Fig.4. Constant Current Application

Typical Characteristics

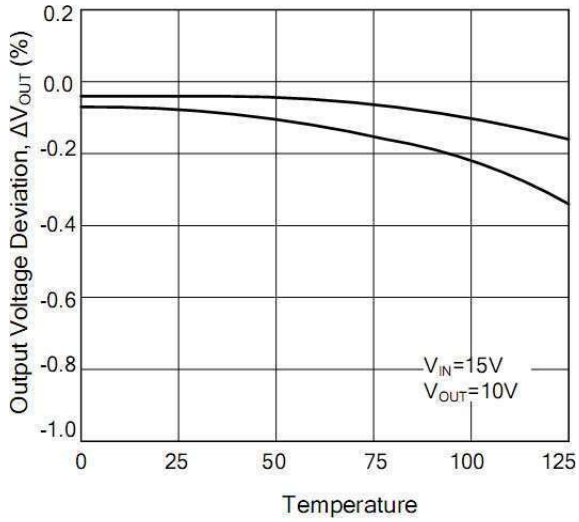


Fig.1. Load Regulation vs. temperature

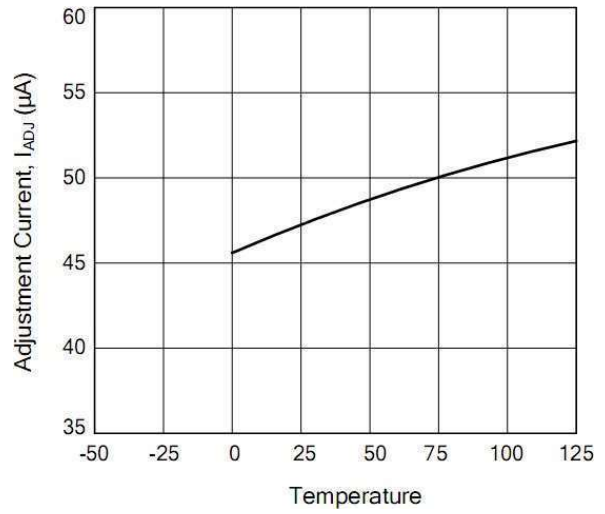


Fig.2. Adjustment Current vs. Temperature

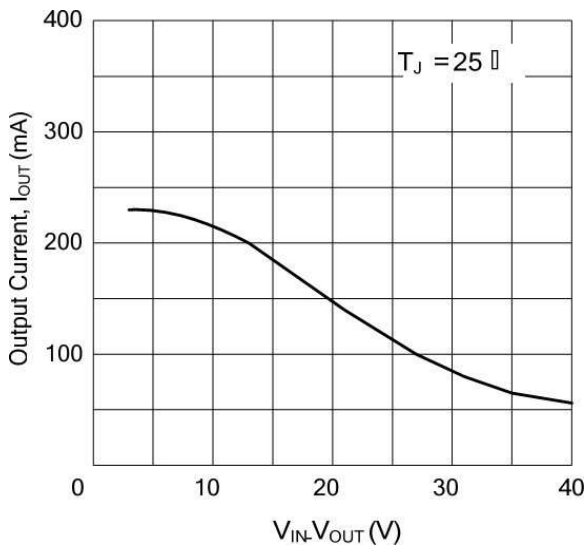


Fig.3. Currents Limit

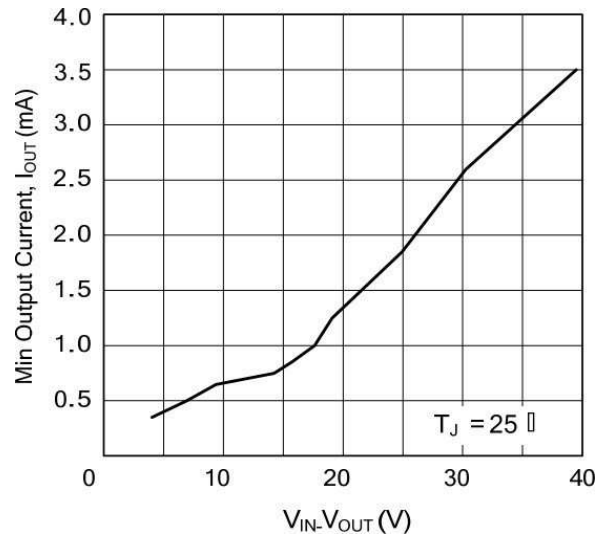


Fig.4. Minimum Operating Current

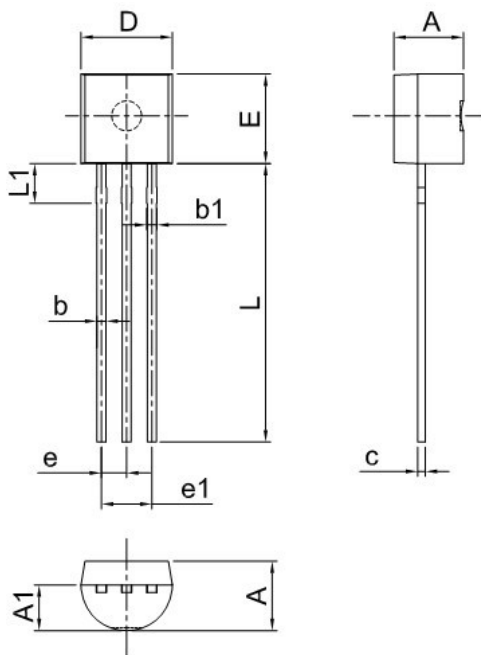
Ordering information

Package	Packing Description	Base Quantity
TO-92	Bulk	1000pcs/Bag
	Tape	2000pcs/Box

Package Dimensions

TO-92

Dim	Millimeter		Inches	
	Min.	Max.	Min.	Max.
A	3.30	3.70	0.130	0.146
A1	2.30	2.70	0.091	0.106
b	0.40	0.50	0.016	0.020
b1	0.50	0.70	0.020	0.028
c	0.35	0.45	0.014	0.018
D	4.45	4.70	0.175	0.185
E	4.40	4.65	0.173	0.183
e	1.17	1.37	0.046	0.054
e1	2.34	2.64	0.092	0.104
L	13.50	14.50	0.531	0.571
L1	1.80	2.20	0.071	0.087



Disclaimer

The information presented in this document is for reference only. GuangDong Youfeng Microelectronics Co.,Ltd. reserves the right to make changes without notice for the specification of the products displayed herein to improve reliability, function or design or otherwise. The product listed herein is designed to be used with ordinary electronic equipment or devices, and not designed to be used with equipment or devices which require high level of reliability and the malfunction of which would directly endanger human life (such as medical instruments, transportation equipment, aerospace machinery, nuclear-reactor controllers, fuel controllers and other safety devices),YFW or anyone on its behalf, assumes no responsibility or liability for any damages resulting from such improper use of sale. This publication supersedes & replaces all information previously supplied. For additional information, please visit our website <https://www.yfwdiode.com>, or consult YFW sales office for further assistance.