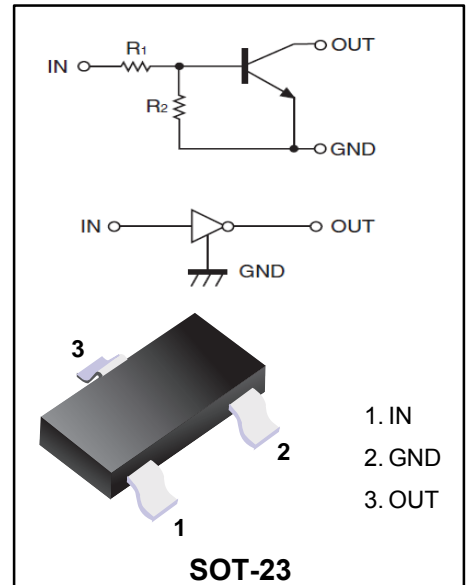


**Digital Transistors (Built-in Resistors)**
**DIGITAL TRANSISTOR (NPN)**
**FEATURE**

- ◆ Built-in bias resistors enable the configuration of an inverter circuit without connecting external input resistors(see equivalent circuit)
- ◆ The bias resistors consist of thin-film resistors with complete isolation to allow positive biasing of the input.They also have the advantage of almost completely eliminating parasitic effects
- ◆ Only the on/off conditions need to be set for operation,marking Device design easy
- ◆ Moisture Sensitivity Level 3

**MECHANICAL DATA**

- ◆ Case: SOT-23
- ◆ Epoxy UL:94V-0
- ◆ Mounting Position:Any
- ◆  $R_1=2.2K$ ,  $R_2=10K$

**Equivalent Circuit**

**Marking Code**

<b>DTD123YCA</b>	<b>F62</b>
------------------	------------

**Absolute Maximum Ratings (Ta=25°C unless otherwise noted)**

Parameters	Symbols	Limits	Units
Supply Voltage	$V_{CC}$	50	V
Input Voltage	$V_{IN}$	-5~+12	V
Output Current	$I_O$	500	mA
Power Dissipation	$P_D$	200	mW
Junction Temperature	$T_J$	150	°C
Storage Temperature	$T_{STG}$	-55~+150	°C

**Electrical Characteristics(Ta=25°C unless otherwise noted)**

Parameter	Conditions	Symbol	Min	Typ	Max	Unit
Input on voltage	$V_O=0.3V$ , $I_O=20mA$	$V_{I(on)}$			2	V
Input off voltage	$V_{CC}=5V$ , $I_O=0.1mA$	$V_{I(off)}$	0.3			V
Output voltage	$I_O/I_I=50mA/2.5mA$	$V_{O(on)}$		0.1	0.3	V
Input current	$V_I=5V$	$I_I$			3.6	mA
Output current	$V_{CC}=50V$ , $V_I=0$	$I_{O(off)}$			0.5	uA
DC current gain	$V_O=5V$ , $I_O=50mA$	$G_I$	56			
Input resistor	-	$R_1$	1.54	2.2	2.86	kΩ
Resistor ratio	-	$R_2/R_1$	3.6	4.5	5.5	
Transition frequency*	$V_{CE}=10V$ , $I_E=-50mA$ , $f=100MHz$	$f_T$		200		MHz

\*Transition frequency of the device

Typical characteristics

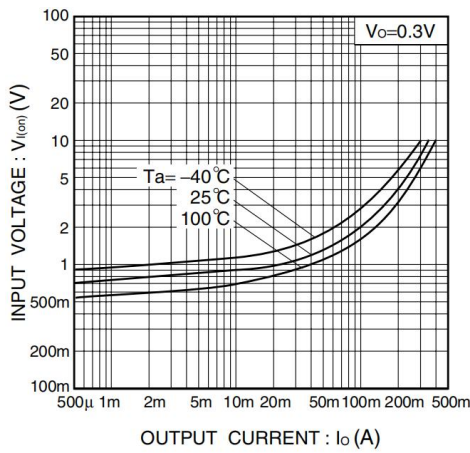


Fig.1 Input voltage vs. output current (ON characteristics)

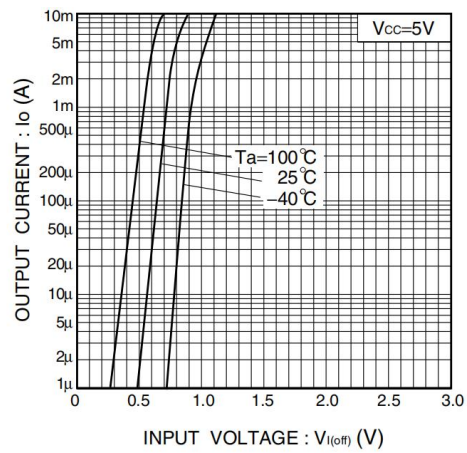


Fig.2 Output current vs. input voltage (OFF characteristics)

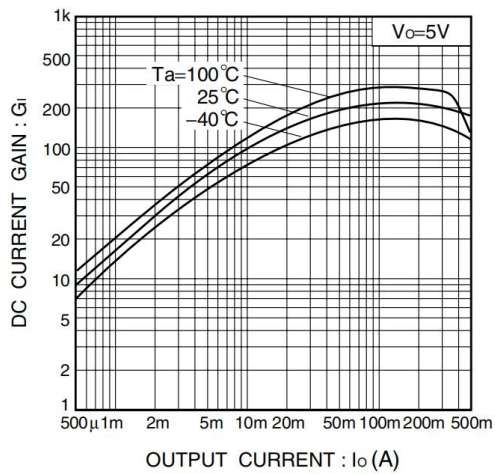


Fig.3 DC current gain vs. output current

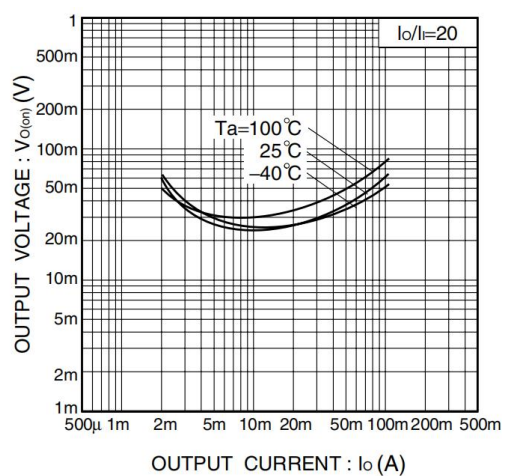


Fig.4 Output voltage vs. output current

**Ordering information**

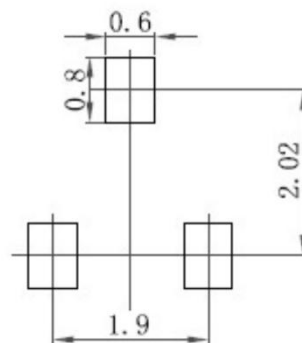
Package	Packing Description	Base Quantity	Packing Quantity
SOT-23	Tape/Reel,7"reel	3000pcs/Reel	24000PCS/Box 120000PCS/Carton

**Package Dimensions**

**SOT-23**

Dim.	Millimeter (mm)		mil	
	Min.	Max.	Min.	Max.
A	0.9	1.15	35	45
A1	0.1		3.9	
bp	0.38	0.48	15	19
C	0.09	0.15	3.54	5.9
D	2.8	3.0	110	118
E	1.2	1.4	47	55
e	1.9		75	
e1	0.95		37	
HE	2.1	2.55	83	100
Lp	0.15	0.45	5.9	18
Q	0.45	0.55	18	22
v	0.2		7.9	
W	0.1		4	

**The recommended mounting pad size**



## Disclaimer

The information presented in this document is for reference only. Guangdong Youfeng Microelectronics Co.,Ltd. reserves the right to make changes without notice for the specification of the products displayed herein to improve reliability, function or design or otherwise. The product listed herein is designed to be used with ordinary electronic equipment or devices, and not designed to be used with equipment or devices which require high level of reliability and the malfunction of which would directly endanger human life (such as medical instruments, transportation equipment, aerospace machinery, nuclear-reactor controllers, fuel controllers and other safety devices), YFW or anyone on its behalf, assumes no responsibility or liability for any damages resulting from such improper use of sale. This publication supersedes & replaces all information previously supplied. For additional information, please visit our website <https://www.yfwdiode.com>, or consult YFW sales office for further assistance.