

Current Regulative Diode
Surface Mount : 10~80mA

DESCRIPTION

CRD is diode which supplies constant current to an electric circuit, even when power supply voltage fluctuations or load impedance fluctuations Configuration occur. CRD is used for current stabilization and current limiting.

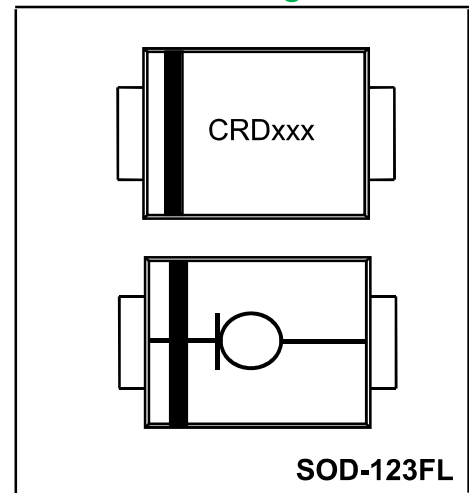
FEATURES

- ◆ Silicon technology
- ◆ Low power loss
- ◆ high efficiency
- ◆ Eliminate voltage overshoot
- ◆ Epoxy resin package
- ◆ Will not fatigue
- ◆ RoHS Compliant

MECHANICAL DATA

- ◆ Package: SOD-123FL
- ◆ Lead Finish: Matte Tin
- ◆ Case Material: Epoxy Molding Compound.
- ◆ UL Flammability Classification Rating 94V-0
- ◆ Moisture Sensitivity: Level 1 per J-STD-020

Pinning



Absolute Maximum Ratings

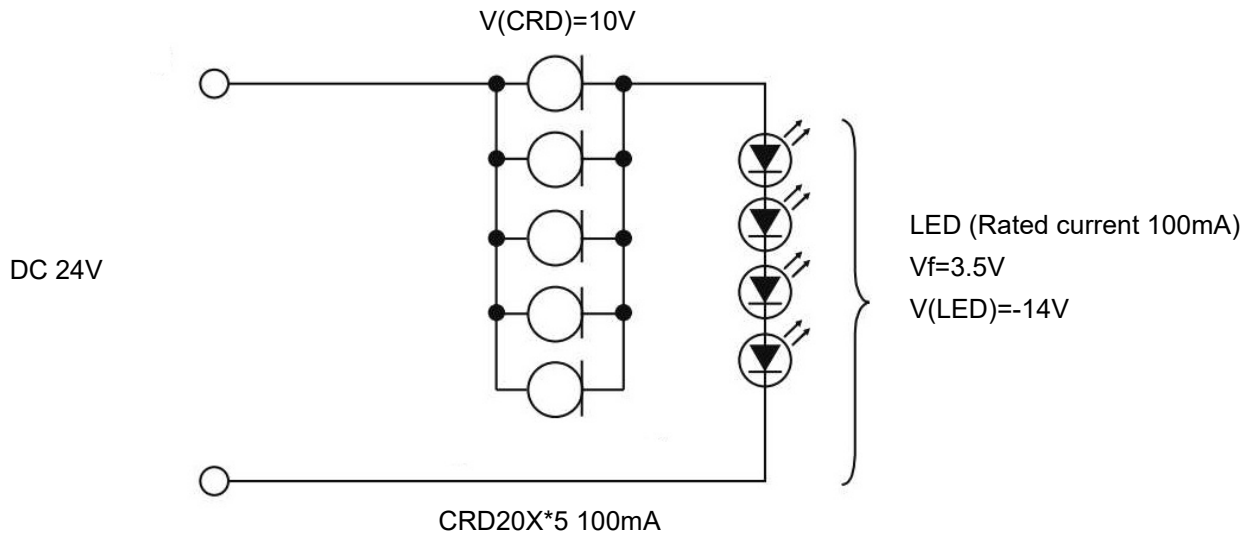
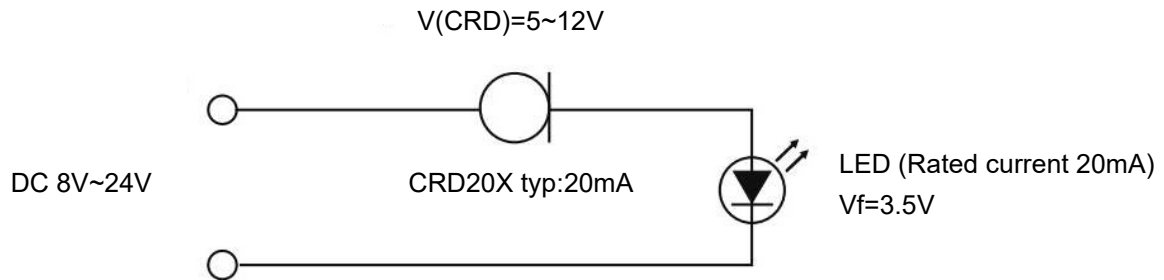
Parameter	Symbol	Value	Units
Operating Temperature Range	T _J	-55 to 150	°C
Storage Temperature Range	T _{STG}	-55 to 150	°C

Electrical Characteristics (T_A=25°C unless otherwise noted)

Part Number	Marking Code	Pinch-Off Current I _P @ V=20V		Active Voltage V _K	Max. Voltage Loading V _B max	Max. Power Loading P _D
		min	max	V _K @ 0.8I _{Pmin}	V _B @ 1.1I _{Pmin}	max
		[mA]	[mA]	Max [V]	[V]	[w]
CRD010D	010D	8	12	3.0	190	0.5
CRD015D	015D	12	18	3.2	190	0.5
CRD020D	020D	16	24	3.5	190	0.5
CRD025D	025D	22.5	27.5	4.0	190	0.5
CRD030D	030D	27	33	4.8	190	0.5
CRD035D	035D	31.5	38.5	5.2	190	0.5
CRD040D	040D	36	44	6.0	190	0.5
CRD050D	050D	45	55	6.5	190	0.5
CRD060D	060D	54	66	7.0	190	0.5
CRD080D	080D	72	88	8.0	190	0.5

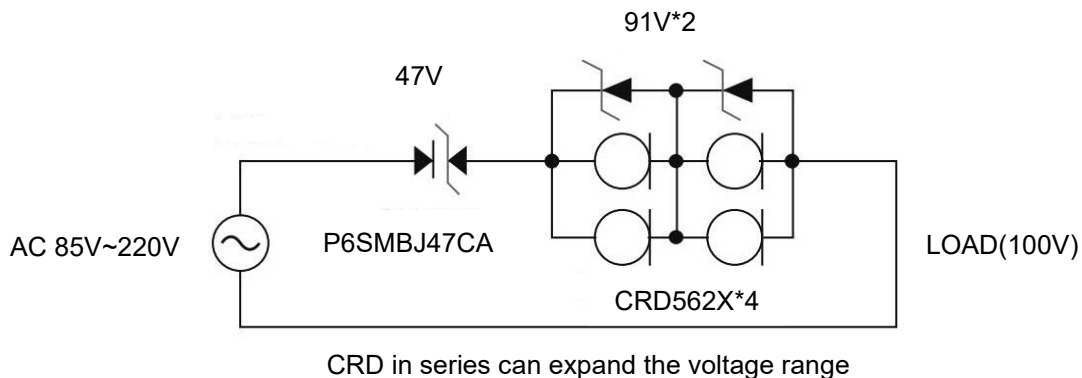
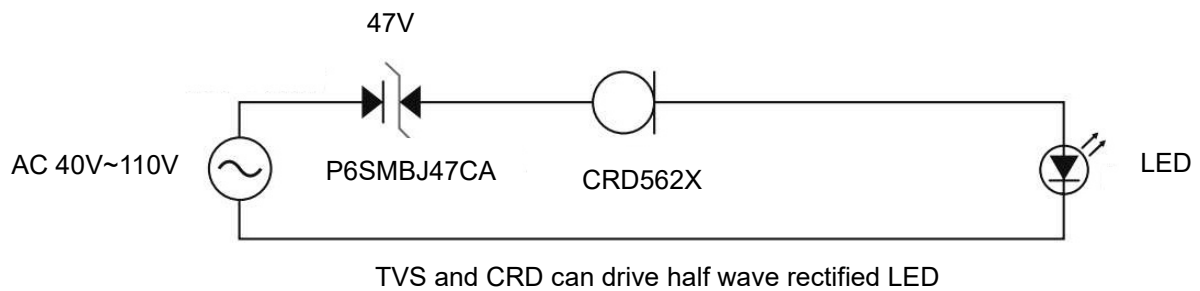
CRD Application Circuits

1.Current supply circuit for LED brightness stabilization (DC power supply)



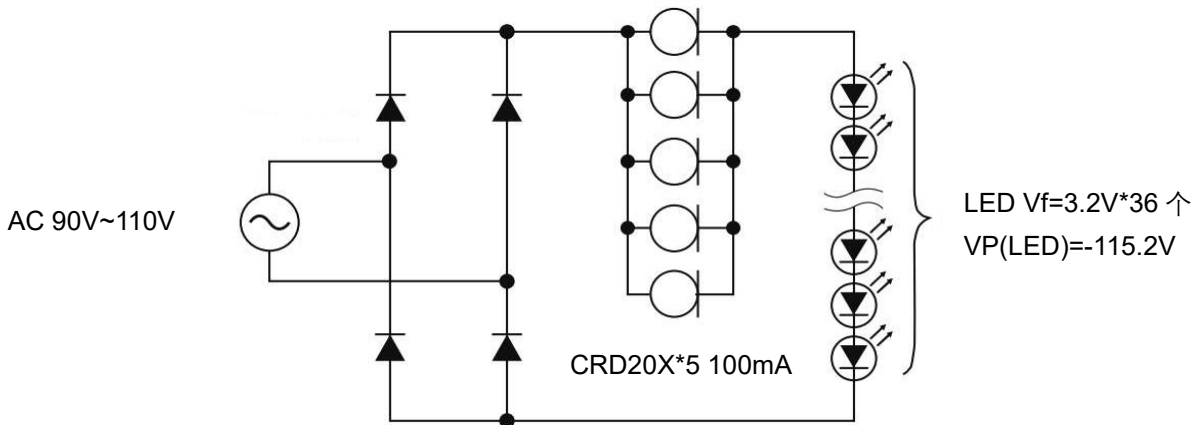
(AC power supply)

(1) Half wave rectification



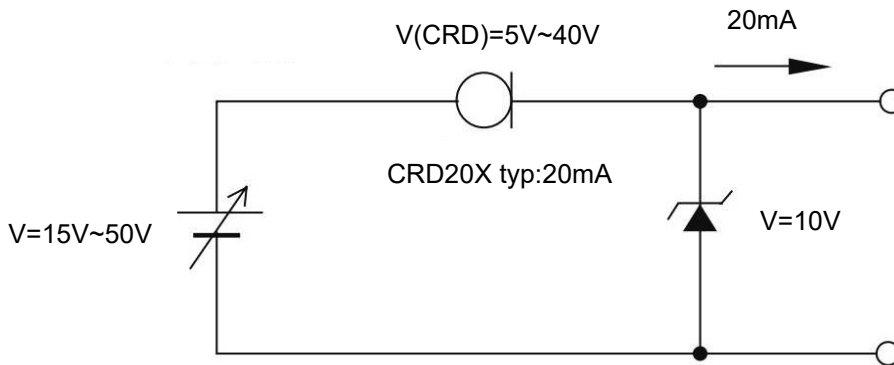
(2) Full wave rectifier circuit

$V(\text{CRD})=12\text{V}\sim 40\text{V}$

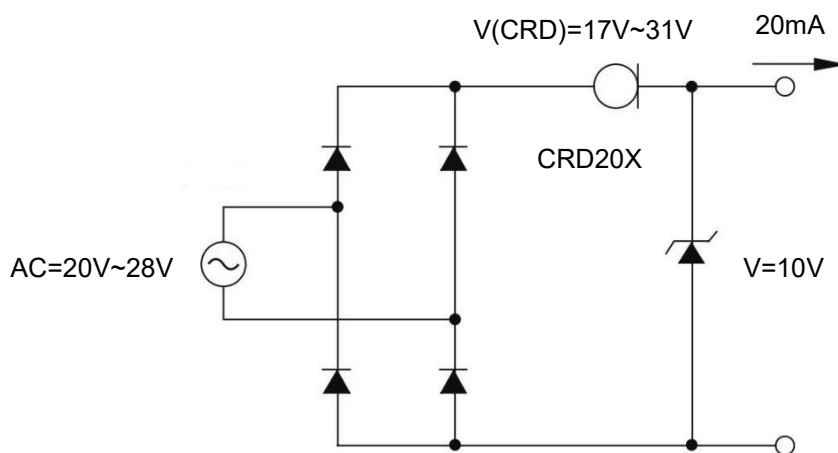


2. Constant voltage circuit

(1) Combination of Zener diode and CRD

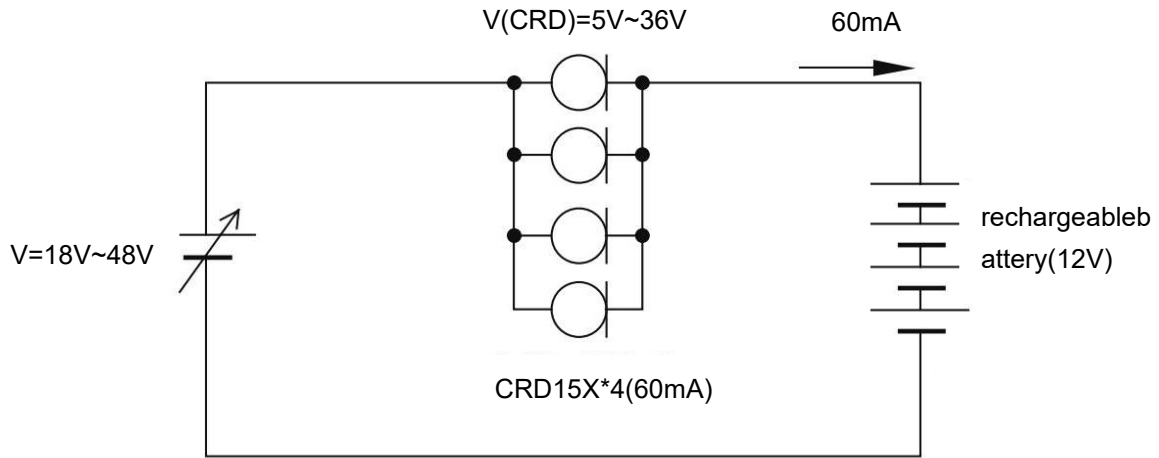


(2) Simple AC / DC converter

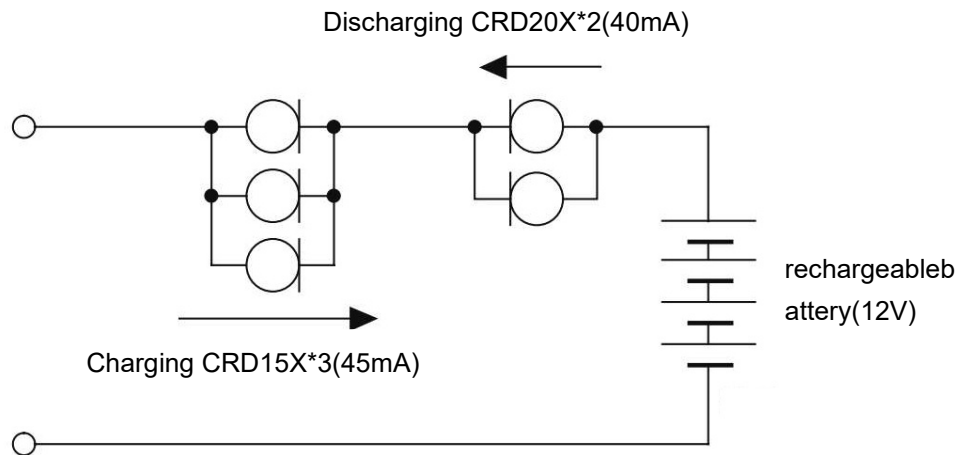


3. Charge discharge circuit

(1) Current charging circuit

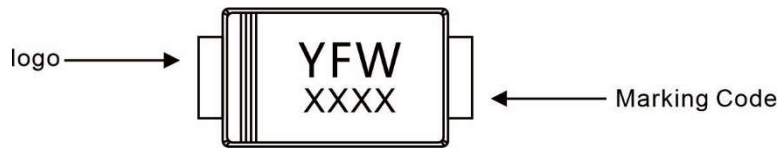


(2) Battery charging and discharging current limiting circuit



By changing the number of CRDs in parallel, the charging /discharging current can be changed respectively

Marking Diagram



Ordering information

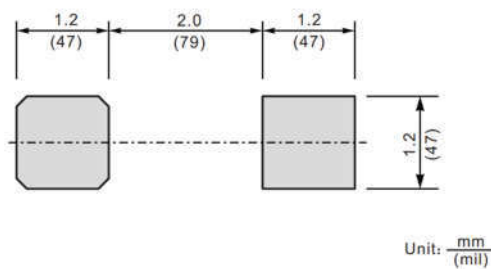
Package	Packing Description	Packing Quantity
SOD-123FL	Tape/Reel, 7" reel	3000PCS/Reel 120000PCS/Carton

Package Dimensions

SOD-123FL

Dim.	Millimeter(mm)		mil	
	Min.	Max.	Min.	Max.
A	0.9	1.3	35	43
C	0.12	0.20	4.7	7.9
D	2.6	2.9	102	114
E	1.7	1.9	67	75
e	0.8	1.1	31	43
g	0.7	0.9	28	35
HE	3.5	3.8	138	150
∠	7°			

The recommended mounting pad size



Disclaimer

The information presented in this document is for reference only. Guangdong Youfeng Microelectronics Co.,Ltd. reserves the right to make changes without notice for the specification of the products displayed herein to improve reliability, function or design or otherwise. The product listed herein is designed to be used with ordinary electronic equipment or devices, and not designed to be used with equipment or devices which require high level of reliability and the malfunction of which would directly endanger human life (such as medical instruments, transportation equipment, aerospace machinery, nuclear-reactor controllers, fuel controllers and other safety devices), YFW or anyone on its behalf, assumes no responsibility or liability for any damages resulting from such improper use of sale. This publication supersedes & replaces all information previously supplied. For additional information, please visit our website <https://www.yfwdiode.com>, or consult YFW sales office for further assistance.